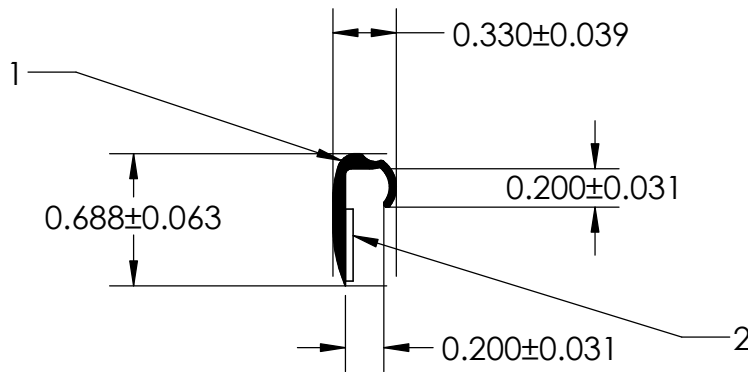
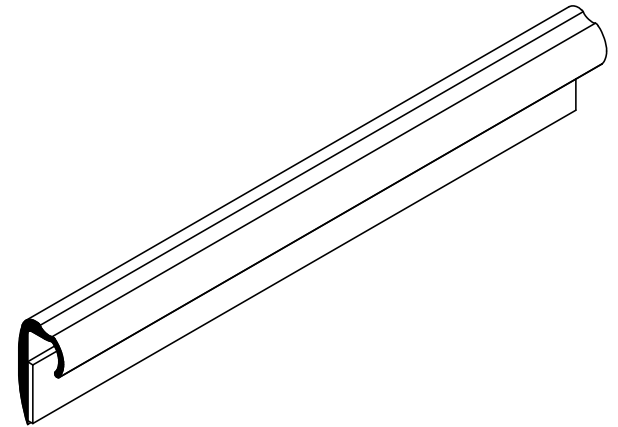


NOTES:

1) 70 DUROMETER EPDM DENSE RUBBER (1.200 G/CM³)

2) 3/8" 3M HEAT ACTIVATED TAPE (0.006 LB/FT)



UNI-GRIP, INC.

9823 STATE ROUTE 53 N
UPPER SANDUSKY, OHIO 43351

REVISION BLOCK				PROPRIETARY AND CONFIDENTIAL:	UNLESS OTHERWISE SPECIFIED:	TITLE:				
REV.	DATE	By	CHANGES MADE	THE INFORMATION CONTAINED IN THIS DRAWING IS THE SOLE PROPERTY OF UNI-GRIP, INC. ANY REPRODUCTION IN PART OR AS A WHOLE WITHOUT THE WRITTEN PERMISSION OF UNI-GRIP, INC. IS PROHIBITED.	DIMENSIONS ARE IN INCHES	TS-225				
A					WEIGHT				0.033 LB/FT	
B					ASTM D1056	N/A	SIZE	DWG. NO.	REV	
C					DOCUMENT CONTROL NUMBER	ASTM D2000	A	UG-1-TS-375-TP-225		
D					UG-1-EN-001-FR-(030123)	3BA711 A14 B13 C12 F17				
E						DR. BY	C. VENT	DATE	4/25/2023	SHEET 1 OF 1

P:\Engineering\Prints\Master Prints\Tape Seals\TS-225 UG-1-TS-375-TP-225

SCALE: 1:1

DR. BY C. VENT

DATE 4/25/2023

SHEET 1 OF 1