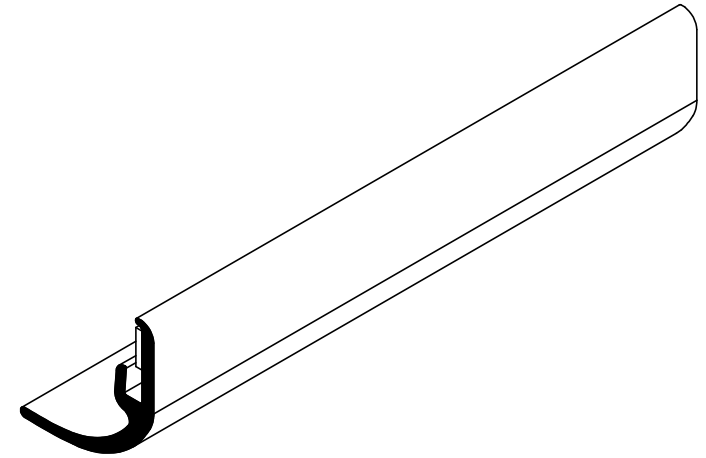
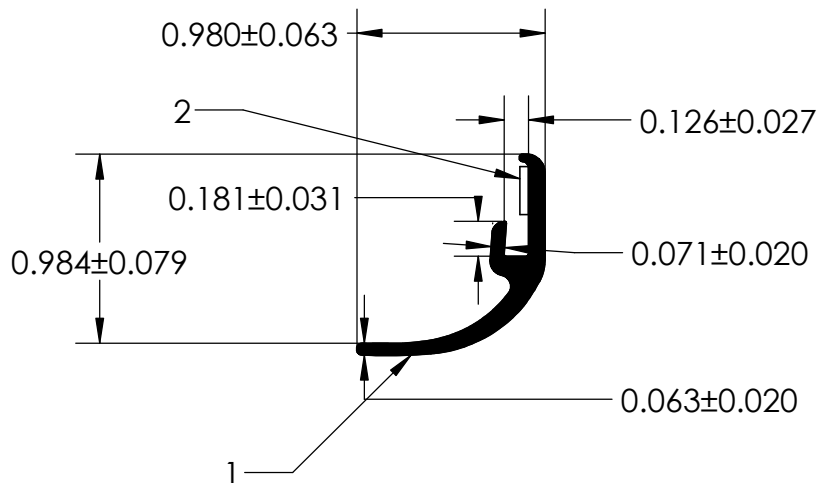


NOTES:

- 1) 70 DUROMETER EPDM DENSE RUBBER (1.200 G/CM<sup>3</sup>)
- 2) 1/4" ST-1200 3M HEAT ACTIVATED TAPE (0.004 LB/FT)



**UNI-GRIP, INC.**

9823 STATE ROUTE 53 N  
UPPER SANDUSKY, OHIO 43351

REVISION BLOCK				PROPRIETARY AND CONFIDENTIAL:	UNLESS OTHERWISE SPECIFIED:	TITLE:				
REV.	DATE	R. By	CHANGES MADE	THE INFORMATION CONTAINED IN THIS DRAWING IS THE SOLE PROPERTY OF UNI-GRIP, INC. ANY REPRODUCTION IN PART OR AS A WHOLE WITHOUT THE WRITTEN PERMISSION OF UNI-GRIP, INC. IS PROHIBITED.	DIMENSIONS ARE IN INCHES TOLERANCES PER ARPM CLASS 3	TS-213				
A										
B					WEIGHT	DWG. NO.				
C					0.099 LB/FT					
D					ASTM D1056	UG-1-TS-250-TP-213				
E				N/A						
DOCUMENT CONTROL NUMBER				ASTM D2000	SIZE	DWG. NO.	REV			
UG-1-EN-001-FR-(080918)				3BA711 A14 B13 C12 F17	<b>A</b>	UG-1-TS-250-TP-213				
P:\Engineering\Prints\Master Prints\Tape Seals\TS-213 UG-1-TS-250-TP-213				SCALE:	1:1	DR. BY	C. VENT	DATE	3/8/2022	SHEET 1 OF 1