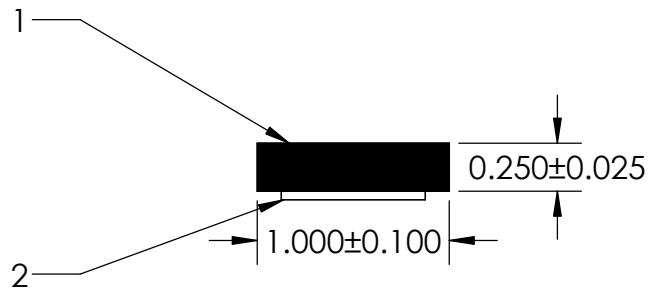
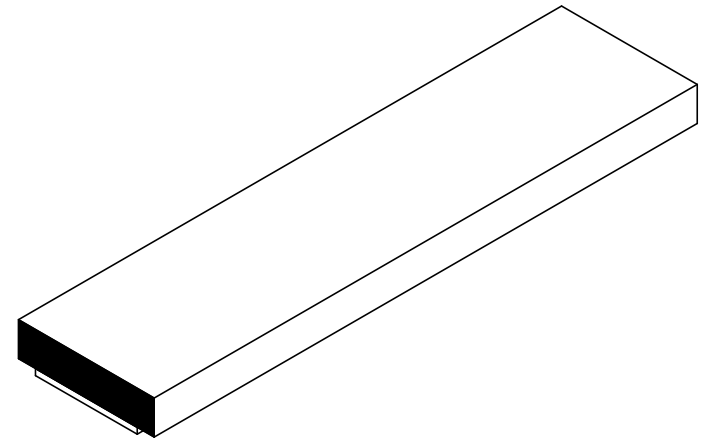


NOTES:

1) CLOSED CELL EPDM SPONGE RUBBER (0.450 G/CM<sup>3</sup>)

2) 3/4" PSA TAPE (0.004 LB/FT)



**UNI-GRIP, INC.**

9823 STATE ROUTE 53 N  
UPPER SANDUSKY, OHIO 43351

REVISION BLOCK				PROPRIETARY AND CONFIDENTIAL:	UNLESS OTHERWISE SPECIFIED:	TITLE:					
REV.	DATE	R. By	CHANGES MADE	THE INFORMATION CONTAINED IN THIS DRAWING IS THE SOLE PROPERTY OF UNI-GRIP, INC. ANY REPRODUCTION IN PART OR AS A WHOLE WITHOUT THE WRITTEN PERMISSION OF UNI-GRIP, INC. IS PROHIBITED.	DIMENSIONS ARE IN INCHES TOLERANCES PER ARPM CLASS 3	TS-201					
A											
B					WEIGHT	DWG. NO.					
C					0.055 LB/FT						
D					ASTM D1056	2A4	UG-1-TS-750-PT-201	REV			
E				ASTM D2000	N/A						
DOCUMENT CONTROL NUMBER				UG-1-EN-001-FR-(080918)	SCALE:	1:1	DR. BY	C. VENT	DATE	9/15/2021	SHEET 1 OF 1