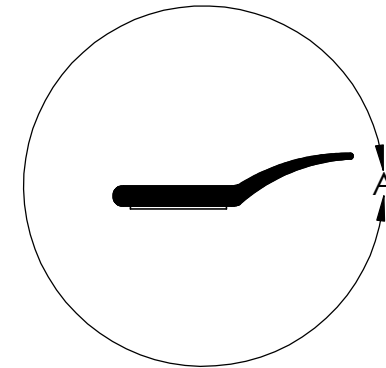
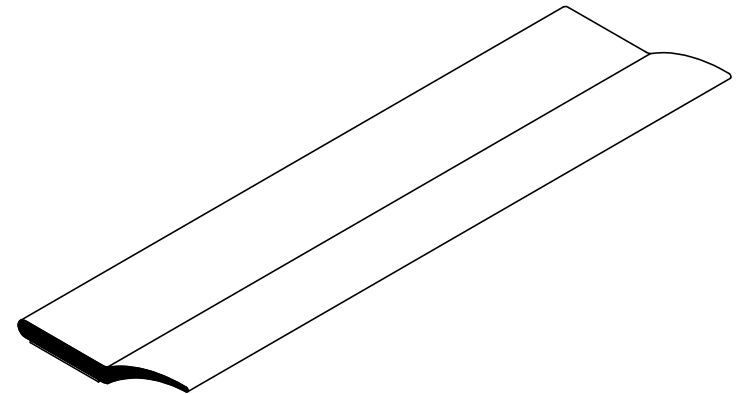
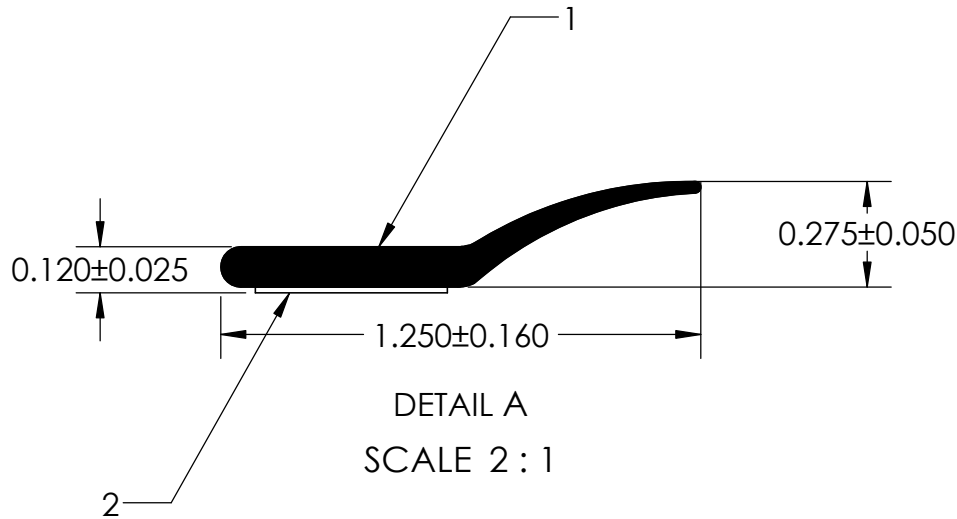


NOTES:

1) CLOSED CELL EPDM SPONGE RUBBER (0.250 G/CM³)

2) 1/2" ACRYLIC ADHESIVE (0.003 LB/FT)



UNI-GRIP, INC.

9823 STATE ROUTE 53 N
UPPER SANDUSKY, OHIO 43351

REVISION BLOCK				PROPRIETARY AND CONFIDENTIAL:	UNLESS OTHERWISE SPECIFIED:	TITLE:					
REV.	DATE	R. By	CHANGES MADE	THE INFORMATION CONTAINED IN THIS DRAWING IS THE SOLE PROPERTY OF UNI-GRIP, INC. ANY REPRODUCTION IN PART OR AS A WHOLE WITHOUT THE WRITTEN PERMISSION OF UNI-GRIP, INC. IS PROHIBITED.	DIMENSIONS ARE IN INCHES TOLERANCES PER ARPM CLASS 3	TS-183					
A											
B					WEIGHT	DWG. NO.					
C					0.015LB/FT						
D					ASTM D1056	2A2	UG-1-TS-500-PT-183	REV			
E				ASTM D2000	N/A						
DOCUMENT CONTROL NUMBER				UG-1-EN-001-FR-(080918)	SCALE:	1:1	DR. BY	C. VENT	DATE	2/8/2021	SHEET 1 OF 1

P:\Engineering\Prints\Master Prints\Tape Seals\SD-183 UG-1-TS-500-PT-183

5

4

3

2

1