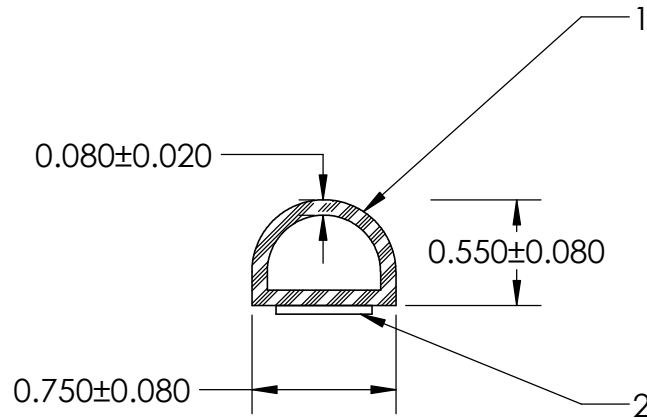
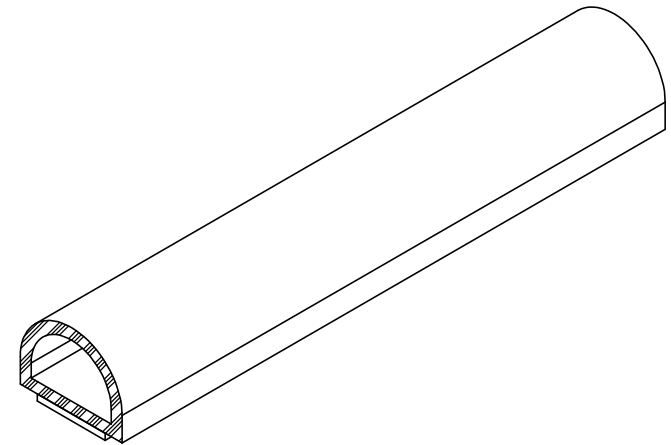


NOTES:

- 1) CLOSED CELL EPDM SPONGE RUBBER (0.250 G/CM<sup>3</sup>)
- 2) 1/2" ST-1200 3M HEAT ACTIVATED TAPE (0.010 LB/FT)



**UNI-GRIP, INC.**

9823 STATE ROUTE 53 N  
UPPER SANDUSKY, OHIO 43351

REVISION BLOCK				PROPRIETARY AND CONFIDENTIAL:	UNLESS OTHERWISE SPECIFIED:	TITLE:				
REV.	DATE	REVIEWED BY	CHANGES MADE	THE INFORMATION CONTAINED IN THIS DRAWING IS THE SOLE PROPERTY OF UNI-GRIP, INC. ANY REPRODUCTION IN PART OR AS A WHOLE WITHOUT THE WRITTEN PERMISSION OF UNI-GRIP, INC. IS PROHIBITED.	DIMENSIONS ARE IN INCHES TOLERANCES PER ARPM CLASS 3	TS-133				
A										
B					WEIGHT	0.032LB/FT				
C					ASTM D1056	2A2				
D					ASTM D2000	N/A				
E				DOCUMENT CONTROL NUMBER	UG-1-EN-001-FR-(103018)					
P:\Engineering\Prints\Tape Seals\TS-133 UG-1-TS-500-TP-133				SCALE:	1:1	DR. BY	C. VENT	DATE	1/22/2020	SHEET 1 OF 1