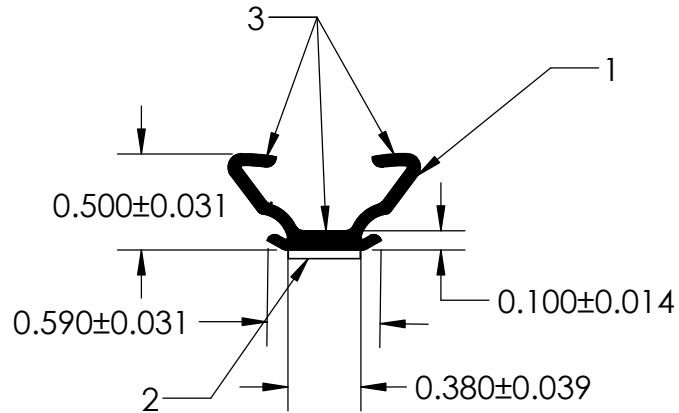
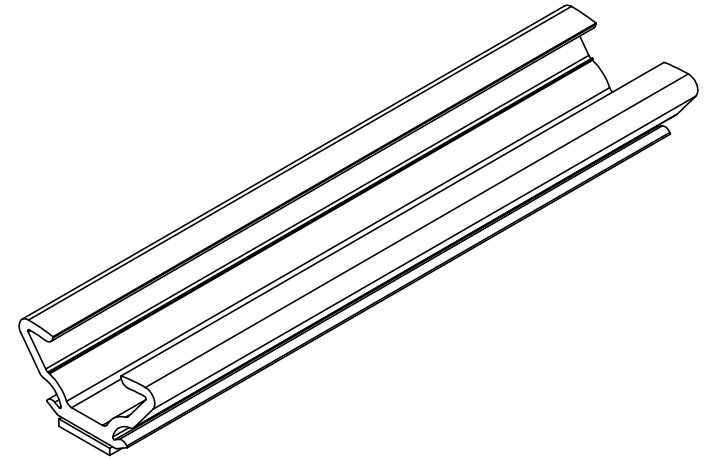


NOTES:

- 1) 70 DUROMETER EPDM RUBBER (1.200 G/CM<sup>3</sup>)
- 2) 3/8" 3M HEAT ACTIVATED TAPE (0.006 LB/FT)
- 3) FLOCKING FELT



**UNI-GRIP, INC.**

9823 STATE ROUTE 53 N  
UPPER SANDUSKY, OHIO 43351

PROPRIETARY AND CONFIDENTIAL:  THE INFORMATION CONTAINED IN THIS DRAWING IS THE SOLE PROPERTY OF UNI-GRIP, INC. ANY REPRODUCTION IN PART OR AS A WHOLE WITHOUT THE WRITTEN PERMISSION OF UNI-GRIP, INC. IS PROHIBITED.	UNLESS OTHERWISE SPECIFIED:	TITLE:		
	DIMENSIONS ARE IN INCHES TOLERANCES PER ARPM CLASS 3	TS-020		
	WEIGHT 0.078 LB/FT ASTM D1056 N/A	SIZE <b>A</b>	DWG. NO. UG-1-TS-375-TP-020	REV <b>A</b>
DOCUMENT CONTROL NUMBER UG-1-EN-001-FR-(111416)	ASTM D2000 3BA711 A14 B13 C12 F17	DR. BY L. CLARK	DATE 10/05/2016	SHEET 1 OF 1