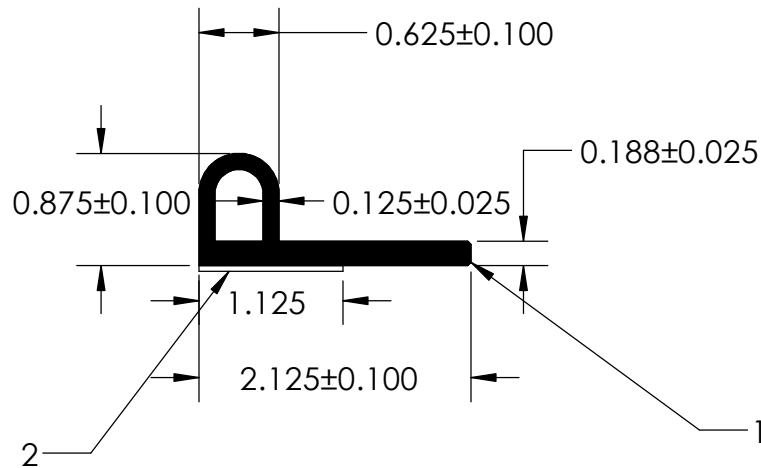
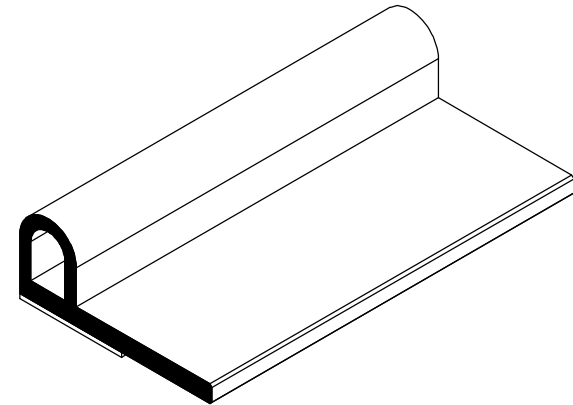


NOTES:

- 1) CLOSED CELL SPONGE RUBBER (DENSITY 0.508 G/CM³)
- 2) 1¹/₈" 3M ST-1200 HEAT ACTIVATED TAPE (0.018 LB/FT)



UNI-GRIP, INC.

9823 STATE ROUTE 53 N
UPPER SANDUSKY, OHIO 43351

PROPRIETARY AND CONFIDENTIAL: THE INFORMATION CONTAINED IN THIS DRAWING IS THE SOLE PROPERTY OF UNI-GRIP, INC. ANY REPRODUCTION IN PART OR AS A WHOLE WITHOUT THE WRITTEN PERMISSION OF UNI-GRIP, INC. IS PROHIBITED.	UNLESS OTHERWISE SPECIFIED:	TITLE:	
	DIMENSIONS ARE IN INCHES TOLERANCES PER ARPM CLASS 3	TS-002	
	WEIGHT 0.147 LB/FT	SIZE A	DWG. NO. UG-1-TS-1125-TP-002
DOCUMENT CONTROL NUMBER UG-1-EN-001-FR-(111416)	ASTM D1056 2A2		
	ASTM D2000 N/A	DR. BY L. CLARK	DATE 12/2/2016
SCALE: 2:3		SHEET 1 OF 1	