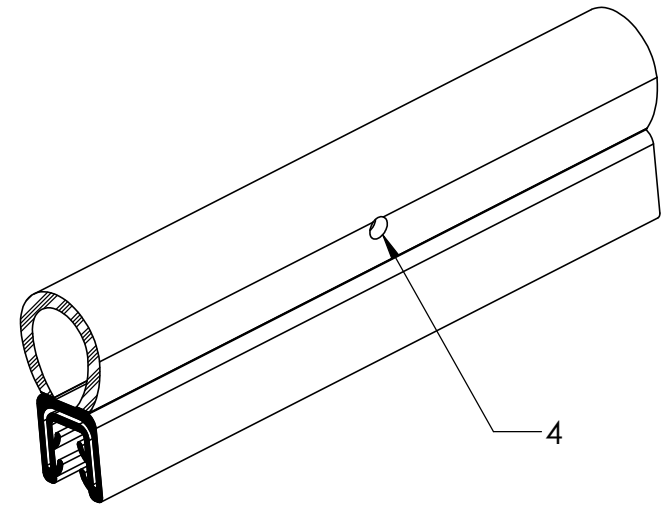
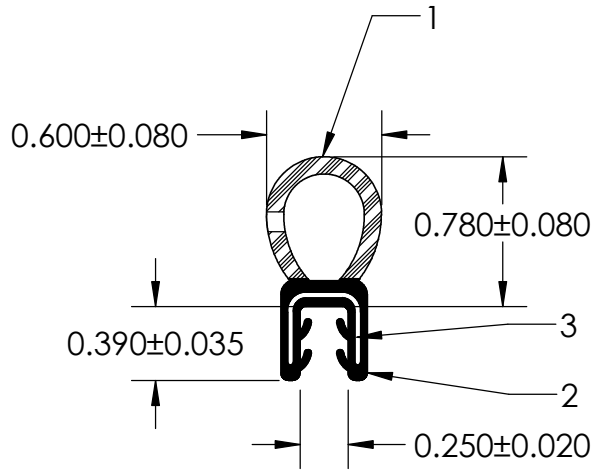


NOTES:

- 1) CLOSED CELL EPDM SPONGE RUBBER (0.750 G/CM<sup>3</sup>)
- 2) 70 DUROMETER EPDM DENSE RUBBER (1.200 G/CM<sup>3</sup>)
- 3) 1.120" WIRE CARRIER (0.024 LB/FT)
- 4) 0.125" VENT HOLE



**UNI-GRIP, INC.**

9823 STATE ROUTE 53 N  
UPPER SANDUSKY, OHIO 43351

REVISION BLOCK				PROPRIETARY AND CONFIDENTIAL:	UNLESS OTHERWISE SPECIFIED:	TITLE:		
REV.	DATE	APPROVED BY	CHANGES MADE	THE INFORMATION CONTAINED IN THIS DRAWING IS THE SOLE PROPERTY OF UNI-GRIP, INC. ANY REPRODUCTION IN PART OR AS A WHOLE WITHOUT THE WRITTEN PERMISSION OF UNI-GRIP, INC. IS PROHIBITED.	DIMENSIONS ARE IN INCHES TOLERANCES PER ARPM CLASS 3	SD-968 W/200 FLANGE		
A								
B					WEIGHT	SIZE		
C					0.149 LB/FT			
D					ASTM D1056	UG-1-DU-1120-WR-089		
E				2A4	REV			
DOCUMENT CONTROL NUMBER				ASTM D2000				DATE
UG-1-EN-001-FR-(080918)				3BA711 A14 B13 C12 F17	SHEET 1 OF 1			
P:\Engineering\Prints\SD-968 W/200 Flange UG-1-DU-1120-WR-089				SCALE:				1:1
						DATE		10/1/2018