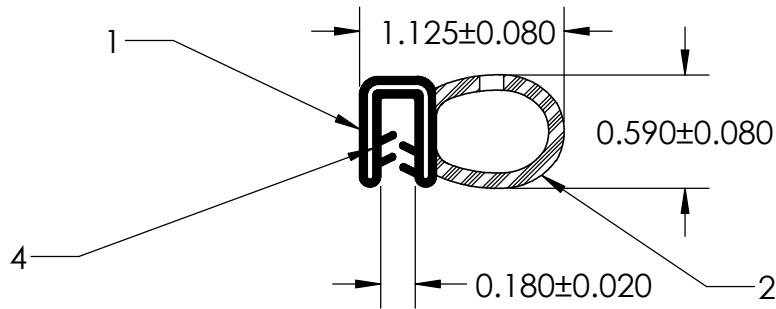
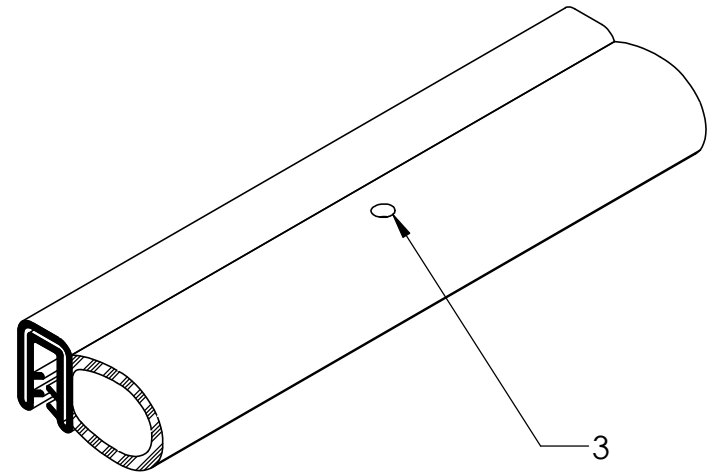


NOTES:

- 1) CLOSED CELL 70 DUROMETER DENSE RUBBER (DENSITY 1.219 G/CM³)
- 2) CLOSED CELL SPONGE RUBBER (DENSITY 0.696 G/CM³)
- 3) 0.125" VENT HOLE 6"-10" SPACING (OPTIONAL)
- 4) 1.120" WIRE CARRIER (0.024 LB/FT)



UNI-GRIP, INC.

9823 STATE ROUTE 53 N
UPPER SANDUSKY, OHIO 43351

PROPRIETARY AND CONFIDENTIAL:	UNLESS OTHERWISE SPECIFIED:
THE INFORMATION CONTAINED IN THIS DRAWING IS THE SOLE PROPERTY OF UNI-GRIP, INC. ANY REPRODUCTION IN PART OR AS A WHOLE WITHOUT THE WRITTEN PERMISSION OF UNI-GRIP, INC. IS PROHIBITED.	DIMENSIONS ARE IN INCHES TOLERANCES PER ARPM CLASS 3
	WEIGHT 0.122 LB/FT
	ASTM D1056 2A2
DOCUMENT CONTROL NUMBER UG-1-EN-001-FR-(111416)	ASTM D2000 N/A

TITLE: SD-910		
SIZE A	DWG. NO. UG-1-DU-1120-WR-002	REV A