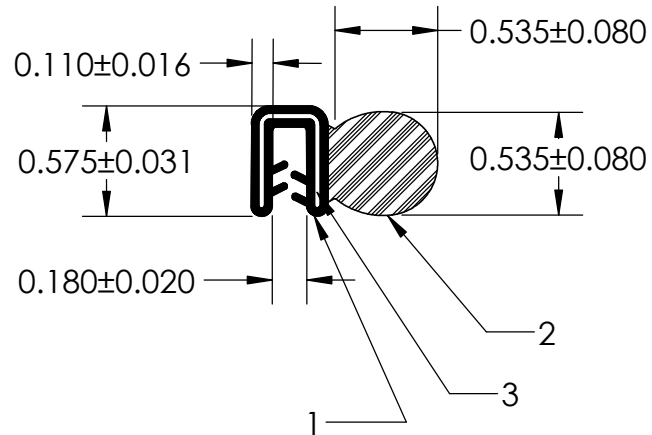
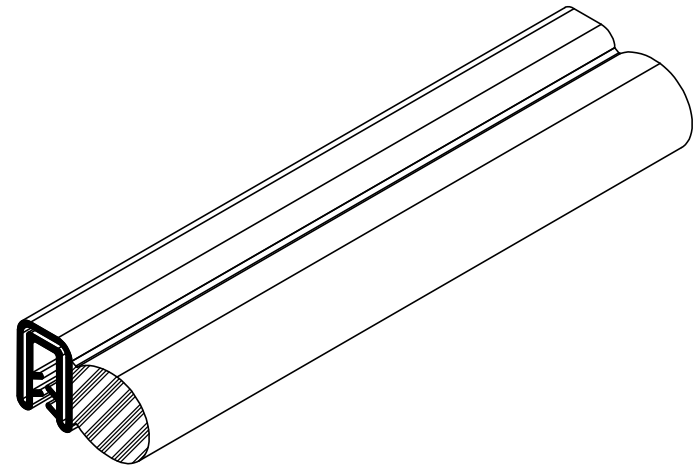


NOTES:

- 1) 70 DUROMETER EPDM DENSE RUBBER (1.200 G/CM³)
- 2) CLOSED CELL EPDM SPONGE RUBBER (0.700 G/CM³)
- 3) 1.120" WIRE CARRIER (0.024 LB/FT)



UNI-GRIP, INC.

9823 STATE ROUTE 53 N
UPPER SANDUSKY, OHIO 43351

REVISION BLOCK				PROPRIETARY AND CONFIDENTIAL:	UNLESS OTHERWISE SPECIFIED:	TITLE:		
REV.	DATE	R. By	CHANGES MADE	THE INFORMATION CONTAINED IN THIS DRAWING IS THE SOLE PROPERTY OF UNI-GRIP, INC. ANY REPRODUCTION IN PART OR AS A WHOLE WITHOUT THE WRITTEN PERMISSION OF UNI-GRIP, INC. IS PROHIBITED.	DIMENSIONS ARE IN INCHES TOLERANCES PER ARPM CLASS 2	SD-910 SOLID BULB		
A								
B					WEIGHT	SIZE A DWG. NO. UG-1-DU-1120-WR-149 REV 2A4		
C					ASTM D1056			
D					ASTM D2000			
E				DOCUMENT CONTROL NUMBER UG-1-EN-001-FR-(080918)	3BA711 A14 B13 C12 F17	DR. BY C. VENT DATE 9/1/2020 SHEET 1 OF 1		

P:\Engineering\Prints\Master Prints\Dual Durometer\SD-910 SOLID BULB

SCALE: 1:1