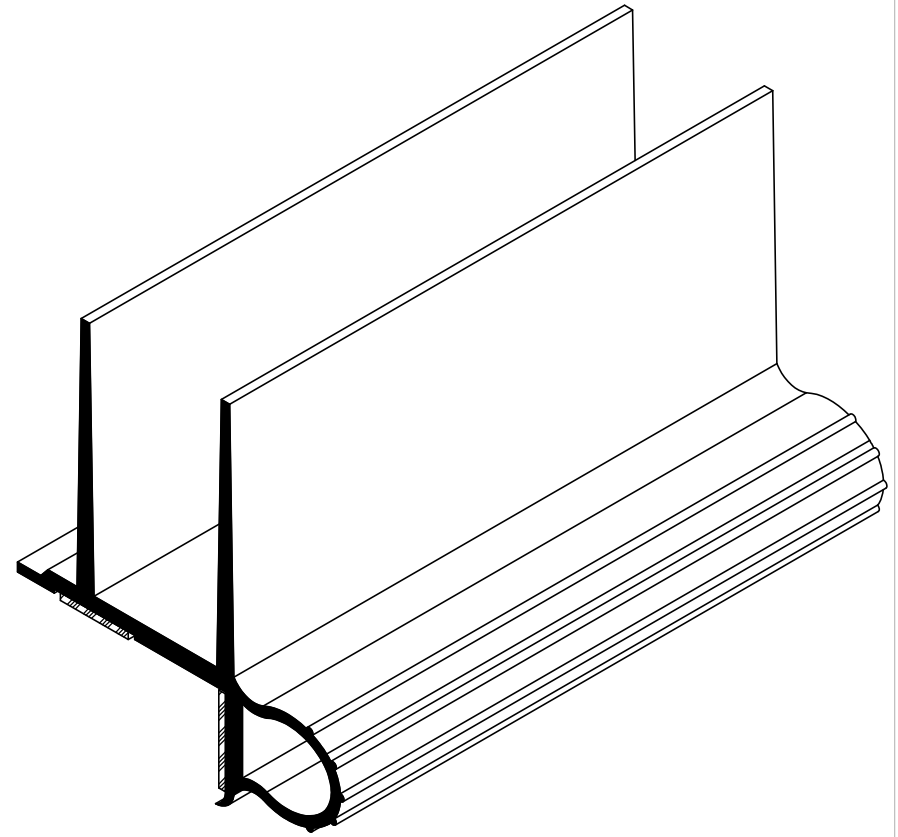
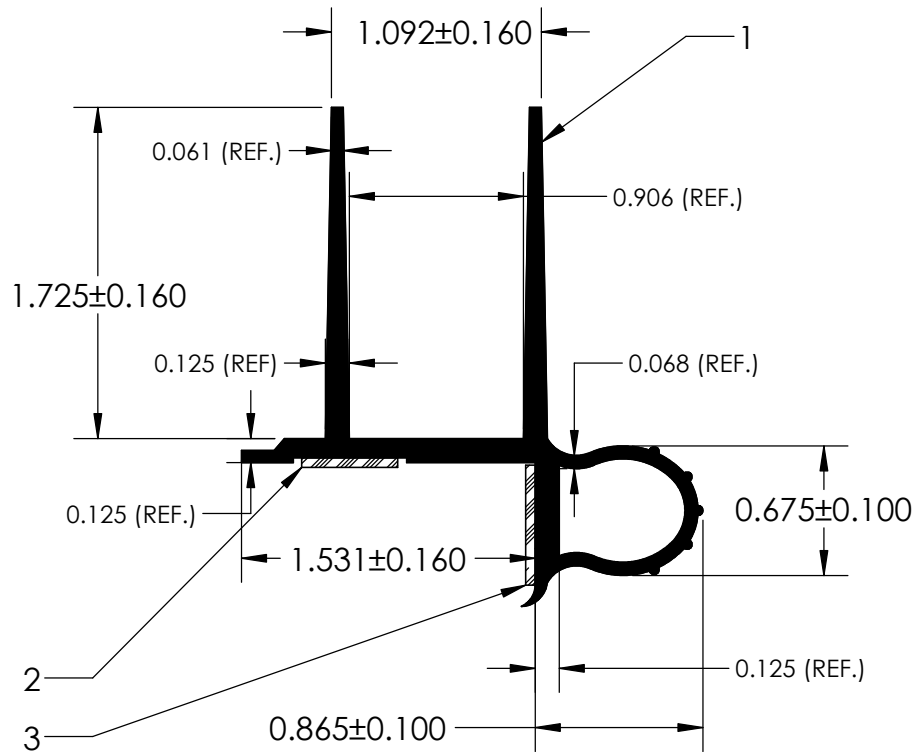


NOTES:

- 1) CLOSED CELL EPDM MICRO DENSE (0.865 G/CM³)
- 2) 1/2" ST-1200 3M HEAT ACTIVATED TAPE (0.010 LB/FT)
- 3) 5/8" ST-1200 3M HEAT ACTIVATED TAPE (0.012 LB/FT)



UNI-GRIP, INC.

9823 STATE ROUTE 53 N
UPPER SANDUSKY, OHIO 43351

REVISION BLOCK			
REV.	DATE	REVIEWED BY	CHANGES MADE
A			
B			
C			
D			
E			

PROPRIETARY AND CONFIDENTIAL:
THE INFORMATION CONTAINED IN THIS DRAWING IS THE SOLE PROPERTY OF UNI-GRIP, INC. ANY REPRODUCTION IN PART OR AS A WHOLE WITHOUT THE WRITTEN PERMISSION OF UNI-GRIP, INC. IS PROHIBITED.
DOCUMENT CONTROL NUMBER
UG-1-EN-001-FR-(103018)

UNLESS OTHERWISE SPECIFIED:
DIMENSIONS ARE IN INCHES
TOLERANCES PER ARPM CLASS 3
WEIGHT
0.114 LB/FT
ASTM D1056 N/A
ASTM D2000 N/A
SCALE: 1:1

TITLE: SD-455-T		DR. BY C. VENT	DATE 5/11/2020	SHEET 1 OF 1
SIZE A	DWG. NO. UG-1-TS-625-TP-150	REV A		