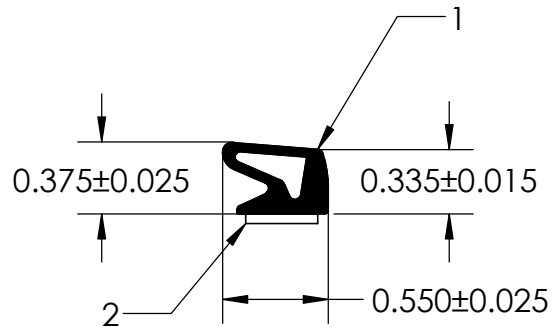
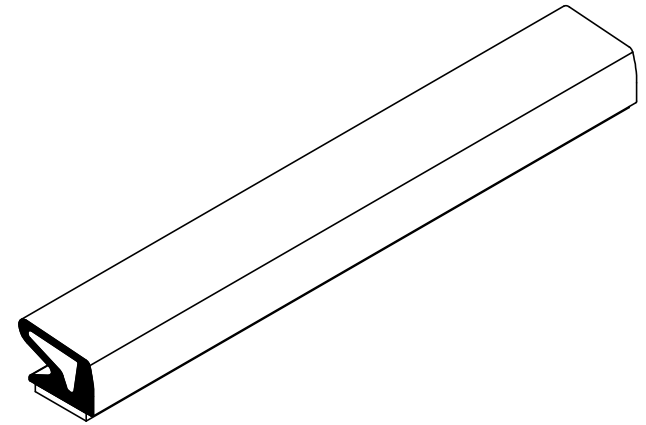


NOTES:

1) CLOSED CELL EPDM SPONGE RUBBER (0.750 G/CM<sup>3</sup>)

2) 3/8" 3M ST-1200 HEAT ACTIVATED TAPE (0.006 LB/FT)



**UNI-GRIP, INC.**

9823 STATE ROUTE 53 N  
UPPER SANDUSKY, OHIO 43351

REVISION BLOCK				PROPRIETARY AND CONFIDENTIAL:	UNLESS OTHERWISE SPECIFIED:	TITLE:				
REV.	DATE	REVIEWED BY	CHANGES MADE	THE INFORMATION CONTAINED IN THIS DRAWING IS THE SOLE PROPERTY OF UNI-GRIP, INC. ANY REPRODUCTION IN PART OR AS A WHOLE WITHOUT THE WRITTEN PERMISSION OF UNI-GRIP, INC. IS PROHIBITED.	DIMENSIONS ARE IN INCHES TOLERANCES PER ARPM CLASS 3	SD-352 IT				
A										
B					WEIGHT	0.047 LB/FT				
C					ASTM D1056	2A4				
D					DOCUMENT CONTROL NUMBER	ASTM D2000	N/A			
E				UG-1-EN-001-FR-(103018)	TITLE:					
P:\Engineering\Prints\Tape Seals\SD-352 IT UG-1-TS-375-TP-100				SCALE:	1:1	DR. BY	C. VENT	DATE	11/7/2018	SHEET 1 OF 1