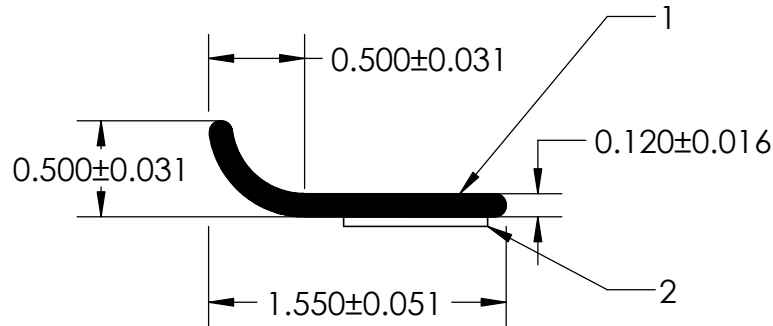
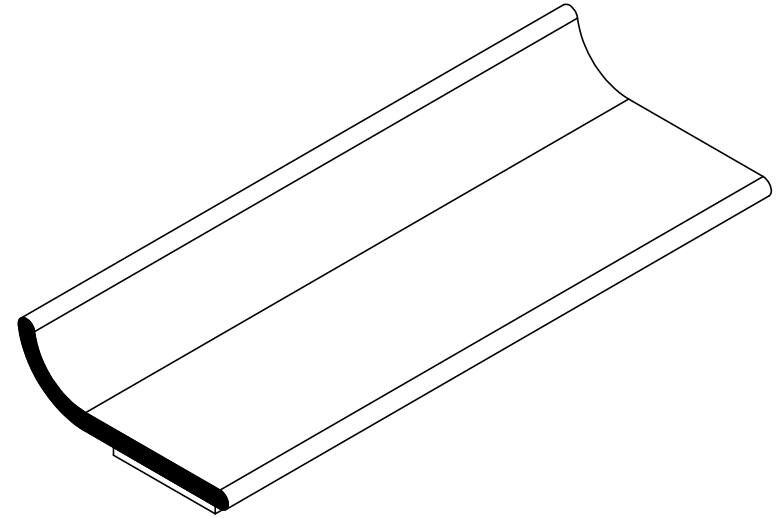


NOTES:

- 1) 70 DUROMETER DENSE RUBBER (1.200 G/CM³)
- 2) .750" ST-1200 3M HEAT ACTIVATED TAPE (0.013 LB/FT)



UNI-GRIP, INC.

9823 STATE ROUTE 53 N
UPPER SANDUSKY, OHIO 43351

REVISION BLOCK				PROPRIETARY AND CONFIDENTIAL:	UNLESS OTHERWISE SPECIFIED:	TITLE:				
REV.	DATE	REVIEWED BY	CHANGES MADE	THE INFORMATION CONTAINED IN THIS DRAWING IS THE SOLE PROPERTY OF UNI-GRIP, INC. ANY REPRODUCTION IN PART OR AS A WHOLE WITHOUT THE WRITTEN PERMISSION OF UNI-GRIP, INC. IS PROHIBITED.	DIMENSIONS ARE IN INCHES TOLERANCES PER ARPM CLASS 3	SD-319-T				
A										
B					WEIGHT	0.118 LB/FT				
C					ASTM D1056	N/A				
D					DOCUMENT CONTROL NUMBER	ASTM D2000	SIZE	DWG. NO.	REV	
E				UG-1-EN-001-FR-(103018)	3BA711 A14 B13 C12 F17	A	UG-1-TS-750-TP-119	A		
P:\Engineering\Prints\Tape Seals\SD-319-T UG-1-TS-750-TP-119				SCALE:	1:1	DR. BY	C. VENT	DATE	10/10/2019	SHEET 1 OF 1