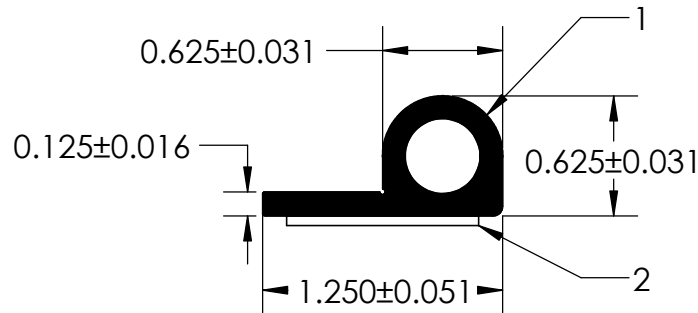
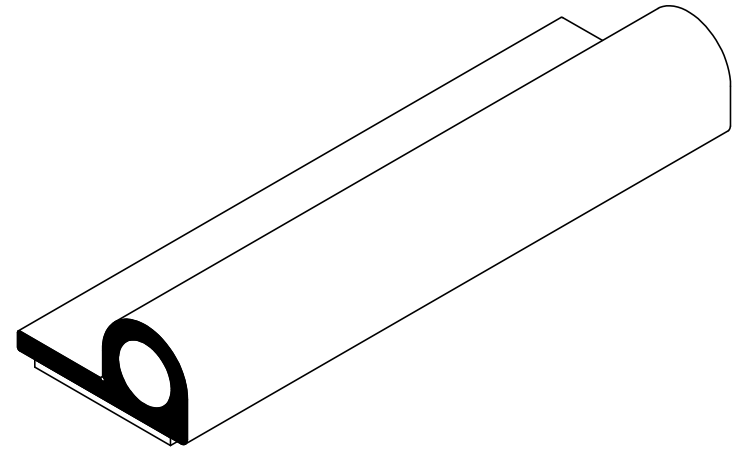


NOTES:

- 1) 70 DUROMETER EPDM DENSE RUBBER (1.200 G/CM³)
- 2) 1.000" ST-1200 3M HEAT ACTIVATED TAPE (0.017 LB/FT)



UNI-GRIP, INC.

9823 STATE ROUTE 53 N
UPPER SANDUSKY, OHIO 43351

PROPRIETARY AND CONFIDENTIAL: THE INFORMATION CONTAINED IN THIS DRAWING IS THE SOLE PROPERTY OF UNI-GRIP, INC. ANY REPRODUCTION IN PART OR AS A WHOLE WITHOUT THE WRITTEN PERMISSION OF UNI-GRIP, INC. IS PROHIBITED.	UNLESS OTHERWISE SPECIFIED: DIMENSIONS ARE IN INCHES TOLERANCES PER ARPM CLASS 3	TITLE: <p style="text-align: center; font-size: 1.2em;">SD-272-T</p>			
	WEIGHT <p style="text-align: center; font-size: 1.2em;">0.176 LB/FT</p>	ASTM D1056 <p style="text-align: center; font-size: 1.2em;">N/A</p>	SIZE <p style="text-align: center; font-size: 1.5em;">A</p>	DWG. NO. <p style="text-align: center; font-size: 1.2em;">UG-1-TS-1000-TP-079</p>	
	DOCUMENT CONTROL NUMBER <p style="text-align: center; font-size: 1.2em;">UG-1-EN-001-FR-(111416)</p>	ASTM D2000 <p style="text-align: center; font-size: 1.2em;">3BA711 A14 B13 C12 F17</p>	REV <p style="text-align: center; font-size: 1.5em;">A</p>		
P:\Engineering\Prints\Tape Seals\SD-272-T UG-1-TS-1000-TP-079		SCALE: 1:1	DR. BY C. VENT	DATE 4/4/2018	SHEET 1 OF 1