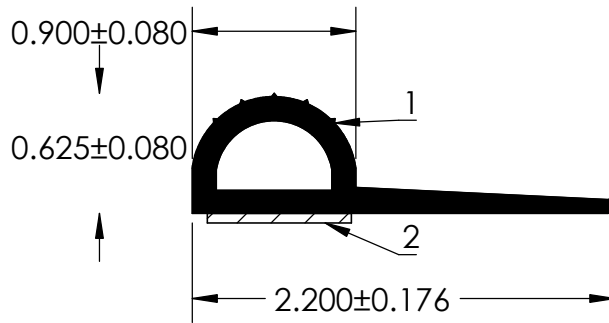
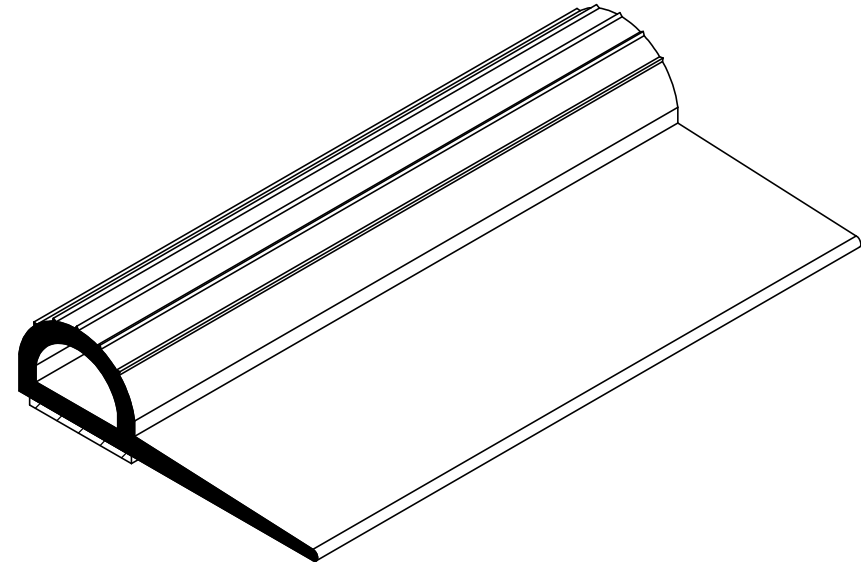


NOTES:

- 1) CLOSED CELL EPDM SPONGE RUBBER ( 0.725 G/CM<sup>3</sup> )
- 2) 3/4" ST-1200 3M HEAT ACTIVATED TAPE (0.013LB/FT )



**UNI-GRIP, INC.**

9823 STATE ROUTE 53 N  
UPPER SANDUSKY, OHIO 43351

PROPRIETARY AND CONFIDENTIAL:  THE INFORMATION CONTAINED IN THIS DRAWING IS THE SOLE PROPERTY OF UNI-GRIP, INC. ANY REPRODUCTION IN PART OR AS A WHOLE WITHOUT THE WRITTEN PERMISSION OF UNI-GRIP, INC. IS PROHIBITED.	UNLESS OTHERWISE SPECIFIED:  DIMENSIONS ARE IN INCHES TOLERANCES PER ARPM CLASS 3	TITLE:  <p style="text-align: center;">SD-269-T</p>		
	WEIGHT <p style="text-align: center;">0.138 LB/FT</p>	ASTM D1056 <p style="text-align: center;">2A4</p>	SIZE <p style="text-align: center;"><b>A</b></p>	DWG. NO. <p style="text-align: center;">UG-1-TS-750-TP-048</p>
DOCUMENT CONTROL NUMBER UG-1-EN-001-FR-(111416)	ASTM D2000 <p style="text-align: center;">N/A</p>	DR. BY <p style="text-align: center;">C. VENT</p>	DATE <p style="text-align: center;">10/31/2017</p>	SHEET 1 OF 1