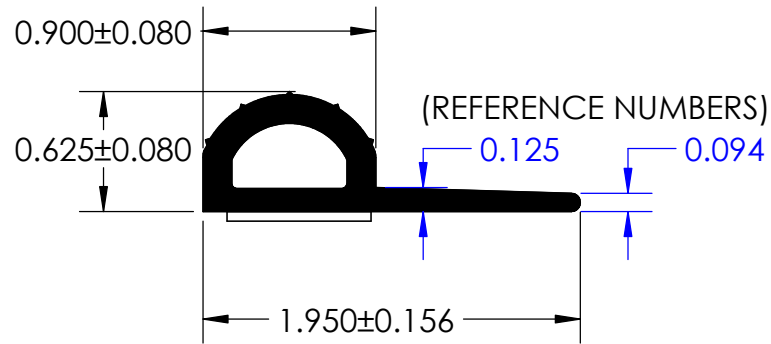
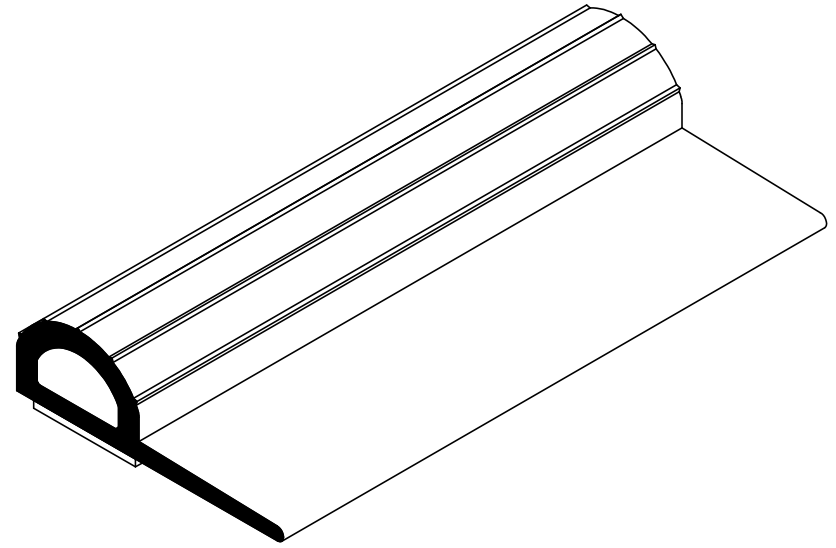


NOTES:

- 1) CLOSED CELL EPDM SPONGE RUBBER (0.750 G/CM<sup>3</sup>)
- 2) 3/4" 3M ST-1200 HEAT ACTIVATED TAPE (0.013 LB/FT)



**UNI-GRIP, INC.**

9823 STATE ROUTE 53 N  
UPPER SANDUSKY, OHIO 43351

REVISION BLOCK				PROPRIETARY AND CONFIDENTIAL:	UNLESS OTHERWISE SPECIFIED:	TITLE:				
REV.	DATE	By	CHANGES MADE	THE INFORMATION CONTAINED IN THIS DRAWING IS THE SOLE PROPERTY OF UNI-GRIP, INC. ANY REPRODUCTION IN PART OR AS A WHOLE WITHOUT THE WRITTEN PERMISSION OF UNI-GRIP, INC. IS PROHIBITED.	DIMENSIONS ARE IN INCHES TOLERANCES PER ARPM CLASS 3	<b>SD-268-T</b>				
A	08/09/18	GS	Added a revision block to template						WEIGHT	0.148 LB/FT
B					ASTM D1056	2A4	SIZE	DWG. NO.	REV	
C					DOCUMENT CONTROL NUMBER	ASTM D2000	<b>A</b>	UG-1-TS-750-TP-094	<b>A</b>	
D					UG-1-EN-001-FR-(080918)	N/A				
E						DR. BY	C. VENT	DATE	10/8/2018	SHEET 1 OF 1

P:\Engineering\Prints\Tape Seals\ SD-268-T UG-1-TS-750-TP-094

SCALE: 1:1

DR. BY C. VENT

DATE 10/8/2018

SHEET 1 OF 1