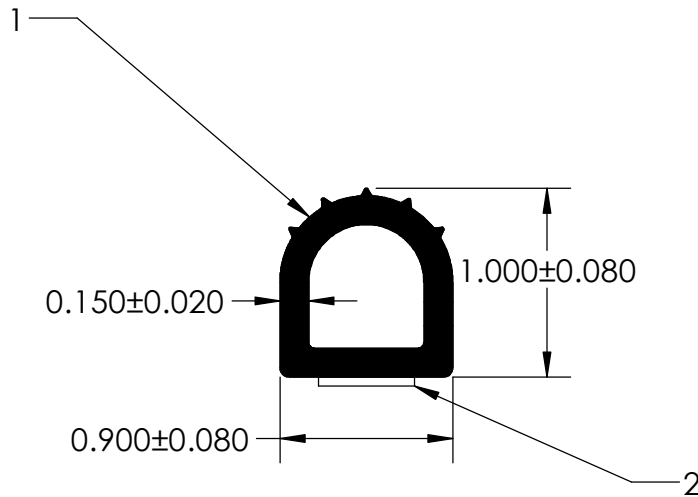
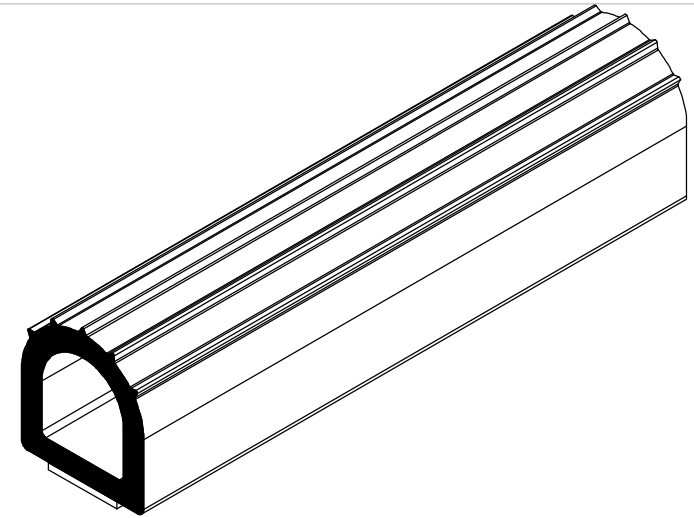


NOTES:

- 1) CLOSED CELL SPONGE RUBBER (DENSITY 0.544 G/CM³)
- 2) 1/2" 3M ST-1200 HEAT ACTIVATED TAPE



UNI-GRIP, INC.

9823 STATE ROUTE 53 N
UPPER SANDUSKY, OHIO 43351

PROPRIETARY AND CONFIDENTIAL: THE INFORMATION CONTAINED IN THIS DRAWING IS THE SOLE PROPERTY OF UNI-GRIP, INC. ANY REPRODUCTION IN PART OR AS A WHOLE WITHOUT THE WRITTEN PERMISSION OF UNI-GRIP, INC. IS PROHIBITED.		UNLESS OTHERWISE SPECIFIED: DIMENSIONS ARE IN INCHES TOLERANCES PER ARPM CLASS 3		TITLE: <p style="text-align: center;">SD-213-T</p>	
DOCUMENT CONTROL NUMBER UG-1-EN-001-FR-(111416)		WEIGHT 0.110 LB/FT ASTM D1056 2A4		SIZE <p style="text-align: center;">A</p>	
ASTM D2000 N/A		DWG. NO. UG-1-TS-500-TP-009		REV <p style="text-align: center;">A</p>	
P:\Engineering\Prints\Tape Seals\SD-213-T UG-1-TS-500-TP-009		SCALE: 1:1		DR. BY L. CLARK DATE 12/22/2016 SHEET 1 OF 1	