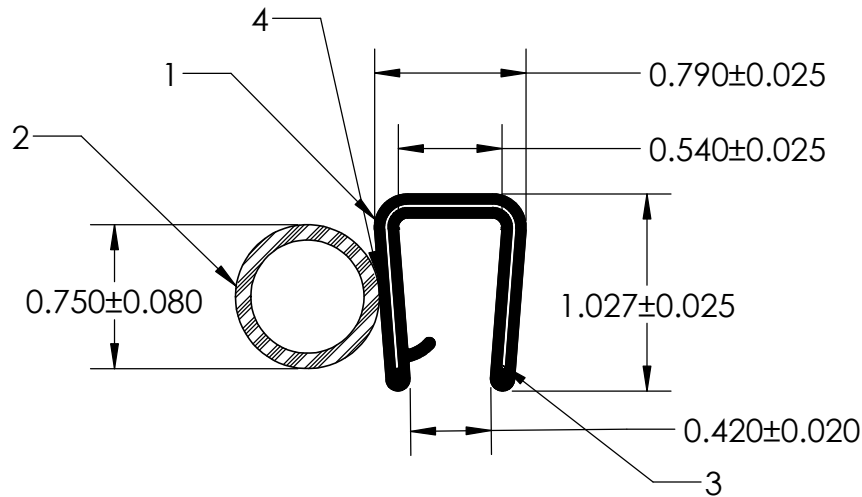
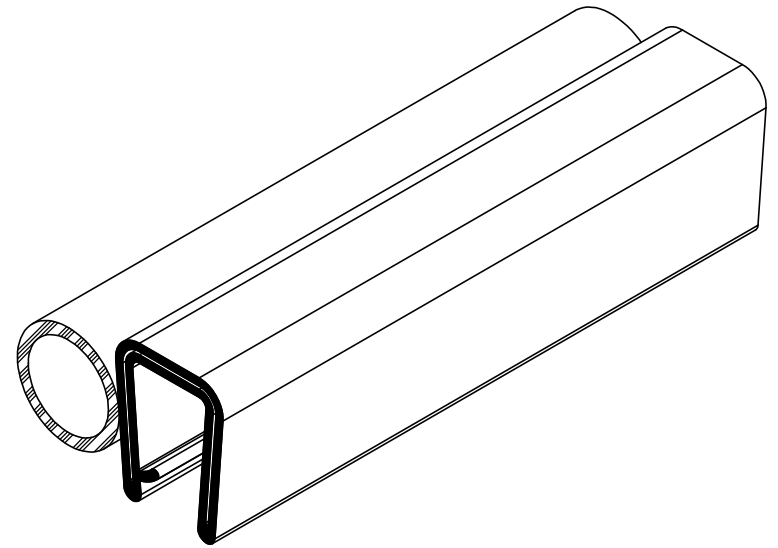


NOTES:

- 1) 78 DUROMETER WHITE PVC (1.370 G/CM³)
- 2) CLOSED CELL EPDM WHITE SPONGE RUBBER (0.750 G/CM³)
- 3) 2" STAMPED STEEL CARRIER (0.124 LB/FT)
- 4) CYANOACRYLATE ADHESIVE




UNI-GRIP, INC.
 9823 STATE ROUTE 53 N
 UPPER SANDUSKY, OHIO 43351

REVISION BLOCK				PROPRIETARY AND CONFIDENTIAL:	UNLESS OTHERWISE SPECIFIED:	TITLE:				
REV.	DATE	REVIEWED BY	CHANGES MADE	THE INFORMATION CONTAINED IN THIS DRAWING IS THE SOLE PROPERTY OF UNI-GRIP, INC. ANY REPRODUCTION IN PART OR AS A WHOLE WITHOUT THE WRITTEN PERMISSION OF UNI-GRIP, INC. IS PROHIBITED.	DIMENSIONS ARE IN INCHES TOLERANCES PER ARPM CLASS 3	SD-1875 W/ 3/4" BULB WHITE				
A						WEIGHT	0.379 LB/FT	SIZE	DWG. NO.	REV
B					ASTM D1056	2A4	A	UG-1-GL-2000-FS-035	A	
C					DOCUMENT CONTROL NUMBER	ASTM D2000				
D					UG-1-EN-001-FR-(103018)	N/A				
E										
P:\Engineering\Prints\Glue Line\SD-1875 W/ 3/4" BULB WHITE UG-1-GL-2000-FS-035				SCALE:	1:1	DR. BY	C. VENT	DATE	1/21/2020	SHEET 1 OF 1