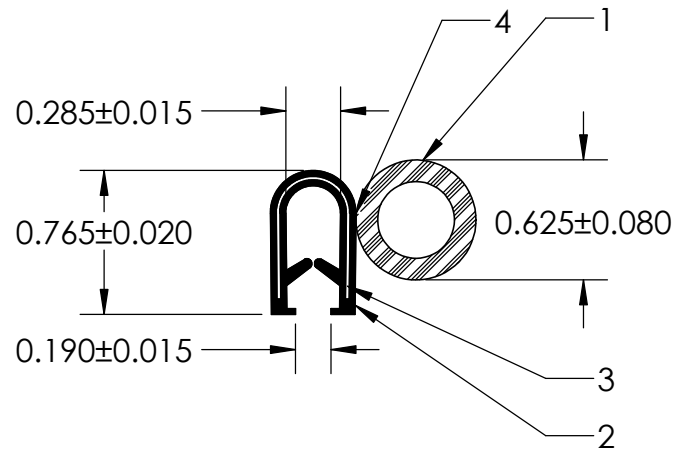
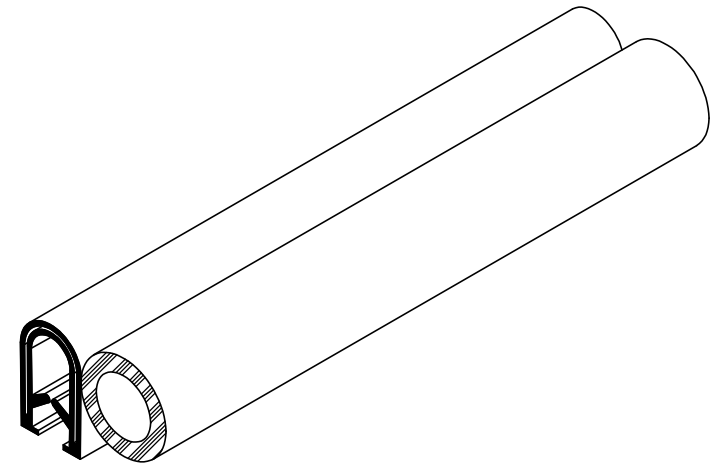


NOTES:

- 1) CLOSED CELL EPDM SPONGE RUBBER (0.380 G/CM³)
- 2) 80 DUROMETER BLACK PVC (1.370G/CM³)
- 3) 1.400" STAMPED STEEL (0.064 LB/FT)
- 4) CYANOACRYLATE ADHESIVE



UNI-GRIP, INC.

9823 STATE ROUTE 53 N
UPPER SANDUSKY, OHIO 43351

REVISION BLOCK				PROPRIETARY AND CONFIDENTIAL:	UNLESS OTHERWISE SPECIFIED:	TITLE:				
REV.	DATE	REVIEWED BY	CHANGES MADE	THE INFORMATION CONTAINED IN THIS DRAWING IS THE SOLE PROPERTY OF UNI-GRIP, INC. ANY REPRODUCTION IN PART OR AS A WHOLE WITHOUT THE WRITTEN PERMISSION OF UNI-GRIP, INC. IS PROHIBITED.	DIMENSIONS ARE IN INCHES TOLERANCES PER ARPM CLASS 3	SD-1435 W NAV 120 BULB				
A	10/24/19	CV	MADE TO CUSTOMER PRINT							
B					WEIGHT	0.156 LB/FT				
C					ASTM D1056	2A4				
D					DOCUMENT CONTROL NUMBER	ASTM D2000	N/A			
E				UG-1-EN-001-FR-(103018)	SCALE: 1:1					
P:\Engineering\Prints\Glue Line\SD-1435 W/NAV 120 BULB UG-1-GL-1400-FS-016				SCALE: 1:1		DR. BY	C. VENT	DATE	10/24/2019	SHEET 1 OF 1