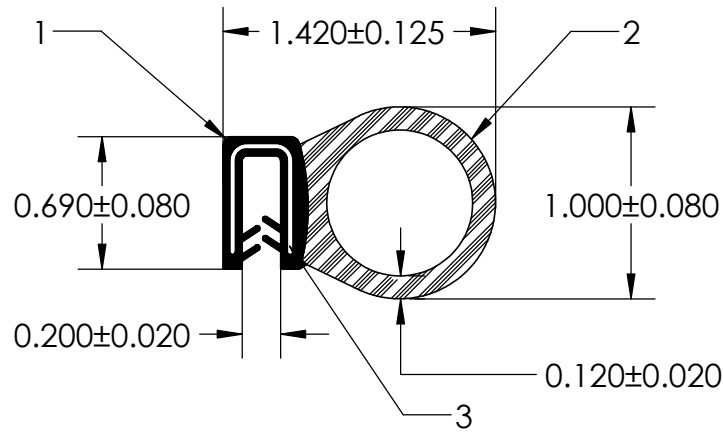
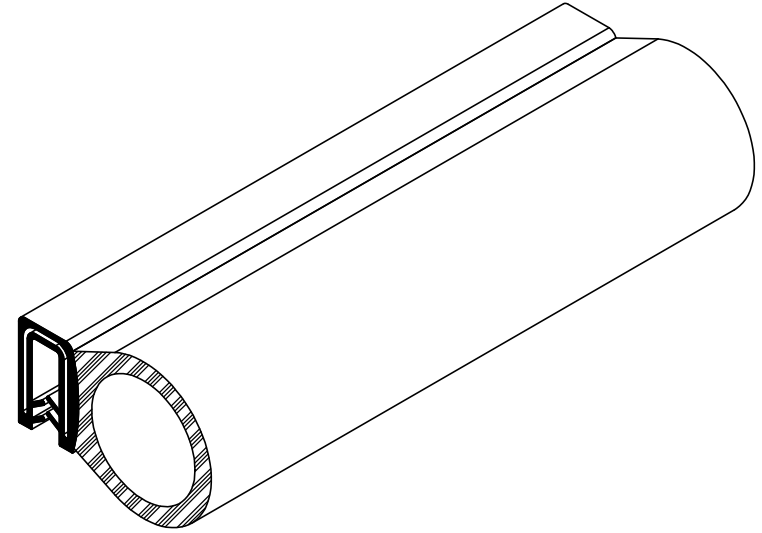


NOTES:

- 1) 70 DUROMETER EPDM DENSE RUBBER (1.200 G/CM³)
- 2) CLOSED CELL EPDM SPONGE RUBBER (0.700 G/CM³)
- 3) 1.430" WIRE CARRIER (0.033 LB/FT)



UNI-GRIP, INC.

9823 STATE ROUTE 53 N
UPPER SANDUSKY, OHIO 43351

REVISION BLOCK

REV.	DATE	R. By	CHANGES MADE
A			
B			
C			
D			
E			

PROPRIETARY AND CONFIDENTIAL:

THE INFORMATION CONTAINED IN THIS DRAWING IS THE SOLE PROPERTY OF UNI-GRIP, INC. ANY REPRODUCTION IN PART OR AS A WHOLE WITHOUT THE WRITTEN PERMISSION OF UNI-GRIP, INC. IS PROHIBITED.

DOCUMENT CONTROL NUMBER
UG-1-EN-001-FR-(080918)

UNLESS OTHERWISE SPECIFIED:

DIMENSIONS ARE IN INCHES
TOLERANCES PER ARPM CLASS 2

WEIGHT
0.217 LB/FT

ASTM D1056
2A4

ASTM D2000
3BA711 A14 B13 C12 F17

TITLE:

SD-12692

SIZE
A

DWG. NO.
UG-1-DU-1430-WR-172

REV

P:\Engineering\Prints\Master Prints\Dual Durometer\SD-12692 UG-1-DU-1430-WR-172

SCALE: 1:1

DR. BY C. VENT

DATE 5/26/2021

SHEET 1 OF 1