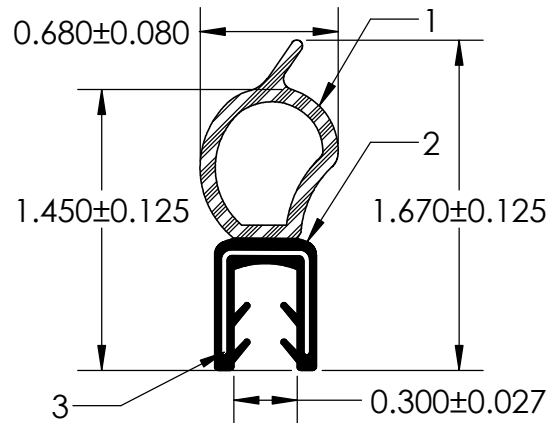
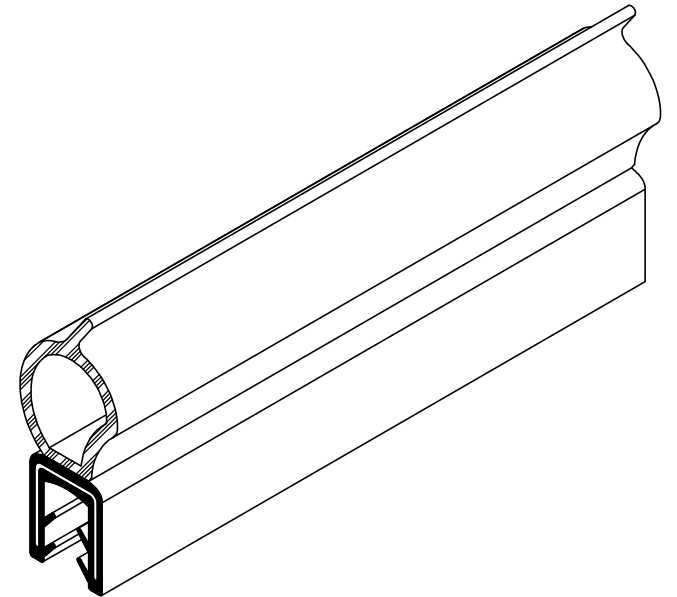


NOTES:

- 1) CLOSED CELL EPDM SPONGE RUBBER (0.536 G/CM³)
- 2) 70 DUROMETER DENSE RUBBER (1.200 G/CM³)
- 3) 1.430" WIRE CARRIER (0.033 LB/FT)



UNI-GRIP, INC.

9823 STATE ROUTE 53 N
UPPER SANDUSKY, OHIO 43351

PROPRIETARY AND CONFIDENTIAL: THE INFORMATION CONTAINED IN THIS DRAWING IS THE SOLE PROPERTY OF UNI-GRIP, INC. ANY REPRODUCTION IN PART OR AS A WHOLE WITHOUT THE WRITTEN PERMISSION OF UNI-GRIP, INC. IS PROHIBITED.		UNLESS OTHERWISE SPECIFIED: DIMENSIONS ARE IN INCHES TOLERANCES PER ARPM CLASS 3		TITLE: <h2 style="text-align: center;">SD-12672</h2>		
DOCUMENT CONTROL NUMBER UG-1-EN-001-FR-(111416)		WEIGHT 0.178 LB/FT		DWG. NO. UG-1-DU-1430-WR-052		
ASTM D1056 2A3		ASTM D2000 3BA711 A14 B13 C12 F17		SIZE A	REV A	
P:\Engineering\Prints\Dual Durometer\SD-12672 UG-1-DU-1430-WR-052		SCALE: 1:1		DR. BY C. VENT	DATE 12/4/2017	