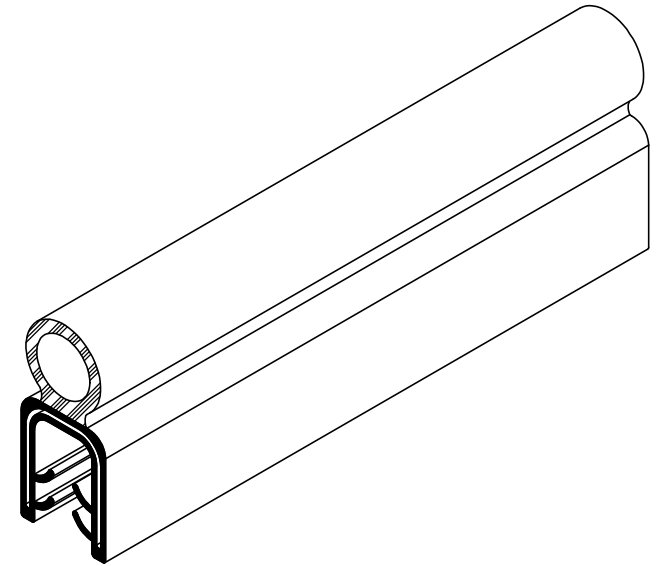
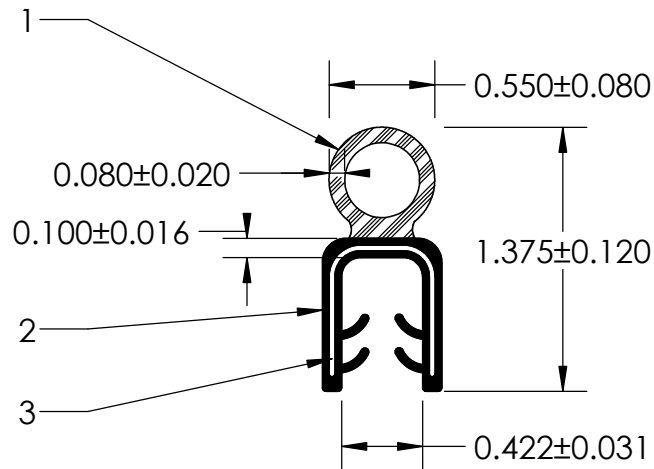


NOTES:

- 1) CLOSED CELL EPDM SPONGE RUBBER (0.700 G/CM³)
- 2) 70 DUROMETER EPDM DENSE RUBBER (1.200 G/CM³)
- 3) 1.700" WIRE CARRIER



UNI-GRIP, INC.

9823 STATE ROUTE 53 N
UPPER SANDUSKY, OHIO 43351

REVISION BLOCK				PROPRIETARY AND CONFIDENTIAL:	UNLESS OTHERWISE SPECIFIED:	TITLE:						
REV.	DATE	REVIEWED BY	CHANGES MADE	THE INFORMATION CONTAINED IN THIS DRAWING IS THE SOLE PROPERTY OF UNI-GRIP, INC. ANY REPRODUCTION IN PART OR AS A WHOLE WITHOUT THE WRITTEN PERMISSION OF UNI-GRIP, INC. IS PROHIBITED.	DIMENSIONS ARE IN INCHES TOLERANCES PER ARPM CLASS 3	SD-12640						
A												
B					WEIGHT	0.202 LB/FT						
C					ASTM D1056	2A4						
D					DOCUMENT CONTROL NUMBER	ASTM D2000	SIZE	DWG. NO.	REV			
E				UG-1-EN-001-FR-(103018)	3BA711 A14 B13 C12 F17	A	UG-1-DU-1700-WR-140	A				
P:\Engineering\Prints\Dual Durometer\SD-12640				UG-1-DU-1700-WR-140	SCALE:	1:1	DR. BY	C. VENT	DATE	3/20/2020	SHEET	1 OF 1