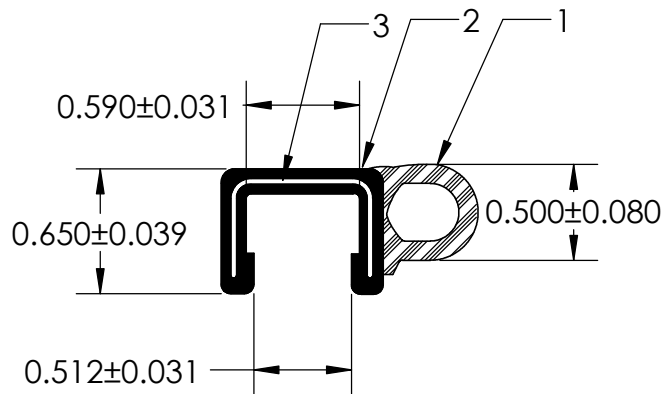
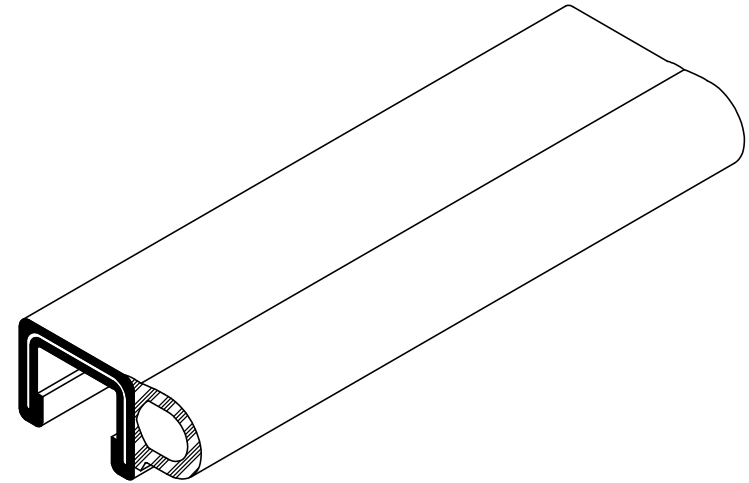


NOTES:

- 1) CLOSED CELL EPDM SPONGE RUBBER (0.699 G/CM³)
- 2) 70 DUROMETER DENSE RUBBER (1.200 G/CM³)
- 3) 1.700" WIRE CARRIER (0.037 LB/FT)



UNI-GRIP, INC.

9823 STATE ROUTE 53 N
UPPER SANDUSKY, OHIO 43351

PROPRIETARY AND CONFIDENTIAL: THE INFORMATION CONTAINED IN THIS DRAWING IS THE SOLE PROPERTY OF UNI-GRIP, INC. ANY REPRODUCTION IN PART OR AS A WHOLE WITHOUT THE WRITTEN PERMISSION OF UNI-GRIP, INC. IS PROHIBITED.	UNLESS OTHERWISE SPECIFIED: DIMENSIONS ARE IN INCHES TOLERANCES PER ARPM CLASS 3	TITLE: <p style="text-align: center; font-size: 1.2em;">SD-12614</p>		
	WEIGHT <p style="text-align: center; font-size: 1.2em;">0.211 LB/FT</p>	ASTM D1056 <p style="text-align: center; font-size: 1.2em;">2A3</p>	SIZE <p style="text-align: center; font-size: 1.5em;">A</p>	DWG. NO. <p style="text-align: center; font-size: 1.2em;">UG-1-DU-1700-WR-037</p>
DOCUMENT CONTROL NUMBER <p style="text-align: center; font-size: 1.2em;">UG-1-EN-001-FR-(111416)</p>	ASTM D2000 <p style="text-align: center; font-size: 1.2em;">3BA711 A14 B13 C12 F17</p>	DR. BY <p style="text-align: center; font-size: 1.2em;">C. VENT</p>	DATE <p style="text-align: center; font-size: 1.2em;">11/15/2017</p>	SHEET 1 OF 1