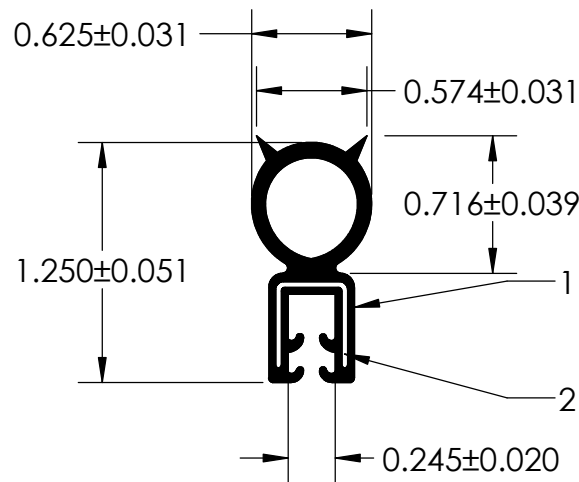
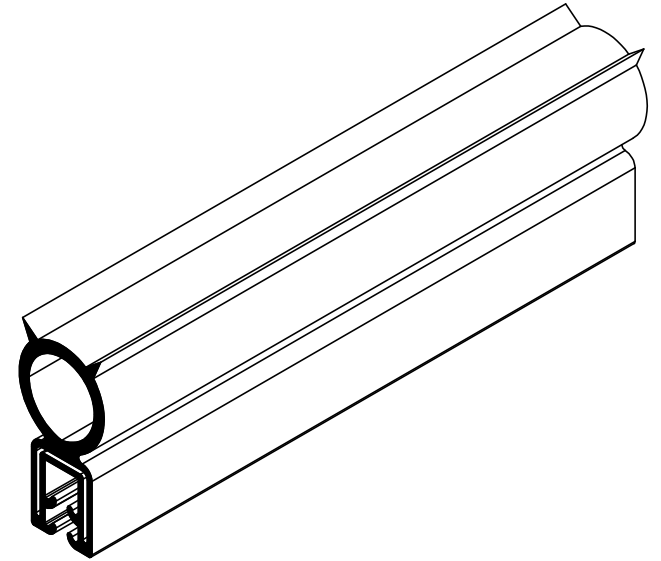


NOTES:

1) 60 DUROMETER BLACK SILICONE (1.300 G/CM³)

2) 1.120 WIRE CARRIER (0.024 LB/FT)



UNI-GRIP, INC.

9823 STATE ROUTE 53 N
UPPER SANDUSKY, OHIO 43351

REVISION BLOCK				PROPRIETARY AND CONFIDENTIAL:	UNLESS OTHERWISE SPECIFIED:	TITLE:		
REV.	DATE	REVIEWED BY	CHANGES MADE	THE INFORMATION CONTAINED IN THIS DRAWING IS THE SOLE PROPERTY OF UNI-GRIP, INC. ANY REPRODUCTION IN PART OR AS A WHOLE WITHOUT THE WRITTEN PERMISSION OF UNI-GRIP, INC. IS PROHIBITED.	DIMENSIONS ARE IN INCHES TOLERANCES PER ARPM CLASS 3	SD-12182-G		
A								
B					WEIGHT	0.185 LB/FT		
C					ASTM D1056	N/A		
D					ASTM D2000	N/A		
E				DOCUMENT CONTROL NUMBER UG-1-EN-001-FR-(103018)	SIZE A			
					SCALE: 1:1	DWG. NO. UG-1-DU-1120-WR-134		REV A
P:\Engineering\Prints\Dual Durometer\SD-12182-G UG-1-DU-1120-WR-134					DR. BY C. VENT	DATE 2/19/2020	SHEET 1 OF 1	