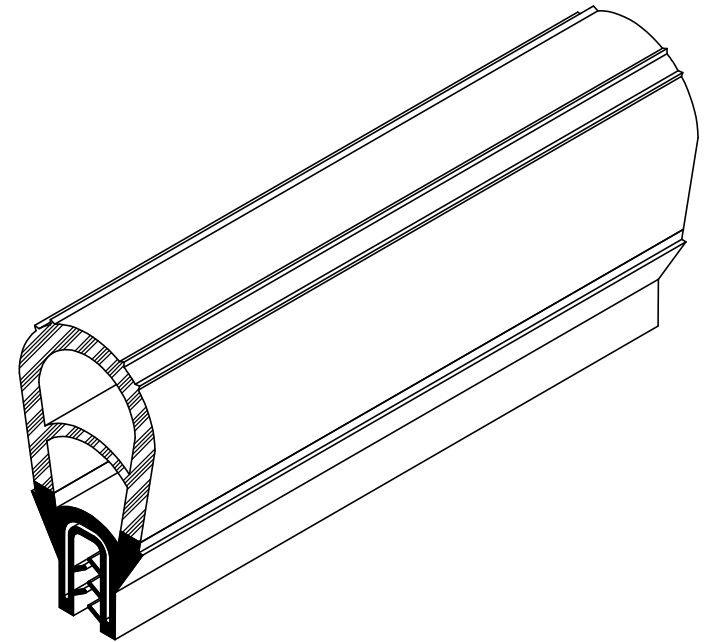
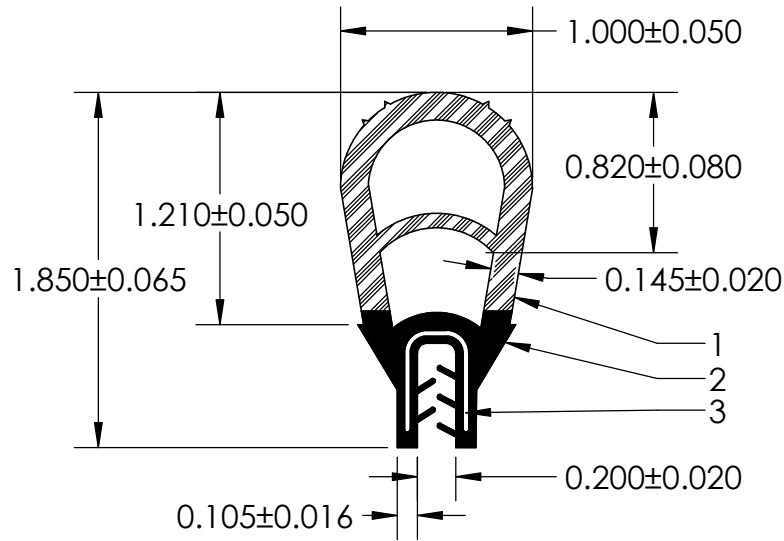


NOTES:

- 1) CLOSED CELL EPDM SPONGE RUBBER (0.750 G/CM³)
- 2) 70 DUROMETER EPDM DENSE RUBBER (1.200 G/CM³)
- 3) 1.430" WIRE CARRIER (0.033 LB/FT)



UNI-GRIP, INC.

9823 STATE ROUTE 53 N
UPPER SANDUSKY, OHIO 43351

REVISION BLOCK				PROPRIETARY AND CONFIDENTIAL:	UNLESS OTHERWISE SPECIFIED:	TITLE:				
REV.	DATE	REVIEWED BY	CHANGES MADE	THE INFORMATION CONTAINED IN THIS DRAWING IS THE SOLE PROPERTY OF UNI-GRIP, INC. ANY REPRODUCTION IN PART OR AS A WHOLE WITHOUT THE WRITTEN PERMISSION OF UNI-GRIP, INC. IS PROHIBITED.	DIMENSIONS ARE IN INCHES TOLERANCES PER ARPM CLASS 3	SD-12170				
A										
B					WEIGHT	SIZE				
C					0.326 LB/FT				A	
D					ASTM D1056	DWG. NO.		REV		
E				2A4	UG-1-DU-1430-WR-097		A			
DOCUMENT CONTROL NUMBER				UG-1-EN-001-FR-(103018)	ASTM D2000	SCALE: 1:1				
P:\Engineering\Prints\Dual Durometer\SD-12170				UG-1-1430-WR-097	3BA711 A14 B13 C12 F17	DR. BY	C. VENT	DATE	12/6/2018	SHEET 1 OF 1