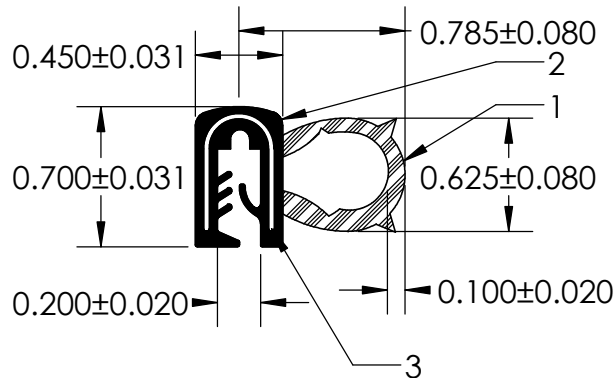
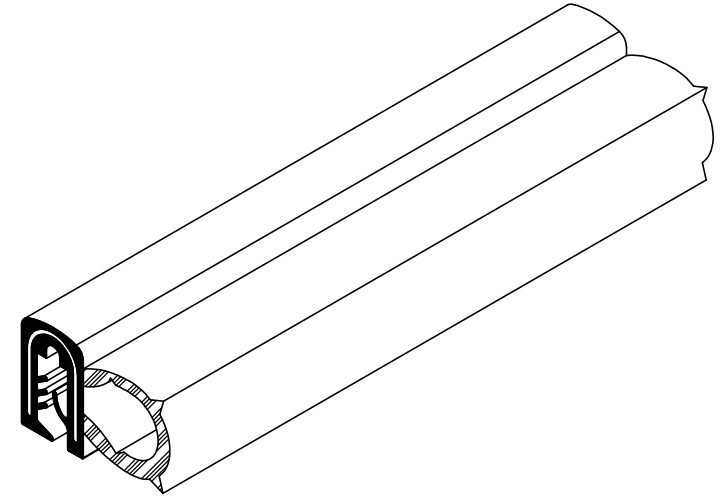


NOTES:

- 1) CLOSED CELL EPDM SPONGE RUBBER(0.536 G/CM<sup>3</sup>)
- 2) 70 DUROMETER DENSE RUBBER (1.200 G/CM<sup>3</sup>)
- 3) 1.430" WIRE CARRIER (0.033 LB/FT)



**UNI-GRIP, INC.**

9823 STATE ROUTE 53 N  
UPPER SANDUSKY, OHIO 43351

PROPRIETARY AND CONFIDENTIAL:  THE INFORMATION CONTAINED IN THIS DRAWING IS THE SOLE PROPERTY OF UNI-GRIP, INC. ANY REPRODUCTION IN PART OR AS A WHOLE WITHOUT THE WRITTEN PERMISSION OF UNI-GRIP, INC. IS PROHIBITED.	UNLESS OTHERWISE SPECIFIED:  DIMENSIONS ARE IN INCHES TOLERANCES PER ARPM CLASS 3	TITLE:  <h2 style="text-align: center;">SD-12124</h2>		
	WEIGHT <h3 style="text-align: center;">0.181 LB/FT</h3> ASTM D1056 <h3 style="text-align: center;">2A3</h3>	SIZE <h2 style="text-align: center;">A</h2>	DWG. NO. <h3 style="text-align: center;">UG-1-DU-1430-WR-047</h3>	REV <h2 style="text-align: center;">A</h2>
DOCUMENT CONTROL NUMBER UG-1-EN-001-FR-(111416)	ASTM D2000 3BA711 A14 B13 C12 F17	DR. BY C. VENT	DATE 11/29/2017	SHEET 1 OF 1