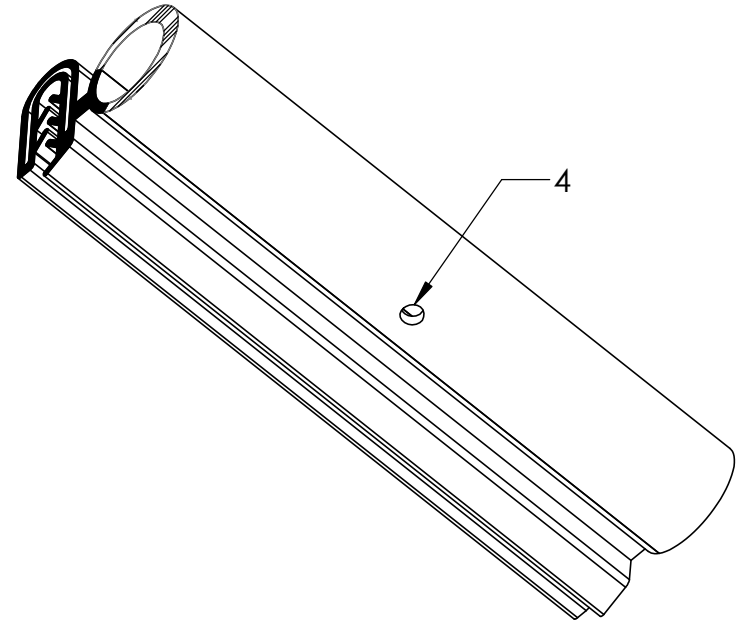
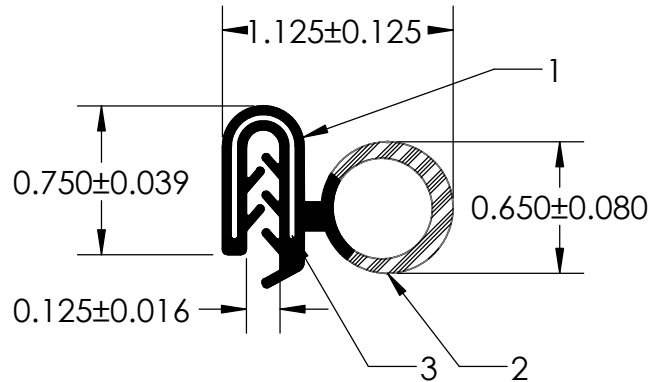


NOTES:

- 1) 70 DUROMETER EPDM DENSE RUBBER (1.200 G/CM<sup>3</sup>)
- 2) CLOSED CELL EPDM SPONGE RUBBER (0.699 G/CM<sup>3</sup>)
- 3) 1.430" WIRE CARREIR (0.028 LB/FT)
- 4) 0.125" VENT HOLE



**UNI-GRIP, INC.**

9823 STATE ROUTE 53 N  
UPPER SANDUSKY, OHIO 43351

PROPRIETARY AND CONFIDENTIAL:  THE INFORMATION CONTAINED IN THIS DRAWING IS THE SOLE PROPERTY OF UNI-GRIP, INC. ANY REPRODUCTION IN PART OR AS A WHOLE WITHOUT THE WRITTEN PERMISSION OF UNI-GRIP, INC. IS PROHIBITED.	UNLESS OTHERWISE SPECIFIED:  DIMENSIONS ARE IN INCHES TOLERANCES PER ARPM CLASS 3	TITLE:  SD-12109-NS-NC BRAUN		
	WEIGHT 0.200 LB/FT	SIZE <b>A</b>	DWG. NO. UG-1-DU-1430-WR-012	REV <b>A</b>
	DOCUMENT CONTROL NUMBER UG-1-EN-001-FR-(111416)	ASTM D2000 3BA711 A14 B13 C12 F17	DR. BY C. VENT	DATE 3/8/2018