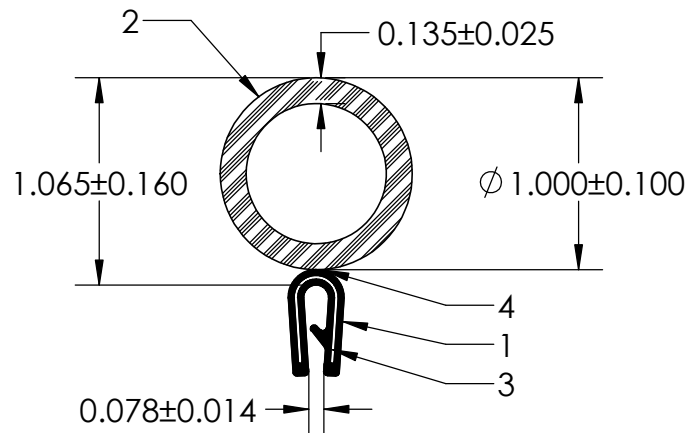
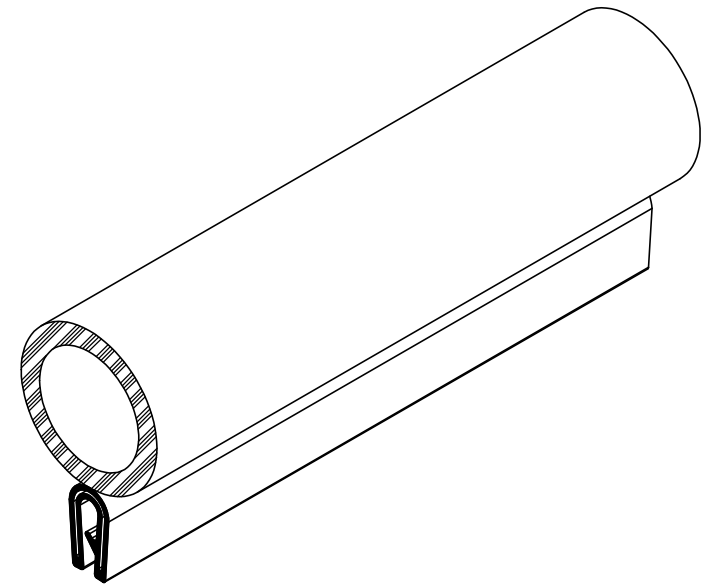


NOTES:

- 1) 80 DUROMETER PVC (1.300 G/CM³)
- 2) CLOSED CELL EPDM SPONGE RUBBER (0.500 G/CM³)
- 3) 1.000" STEELCARRIER (0.046 LB/FT)
- 4) CYANOACRYLATE ADHESIVE



UNI-GRIP, INC.

9823 STATE ROUTE 53 N
UPPER SANDUSKY, OHIO 43351

REVISION BLOCK			
REV.	DATE	REVIEWED BY	CHANGES MADE
A	11/7/18	GS	REVISED BULB THICKNESS
B			
C			
D			
E			

PROPRIETARY AND CONFIDENTIAL:
THE INFORMATION CONTAINED IN THIS DRAWING IS THE SOLE PROPERTY OF UNI-GRIP, INC. ANY REPRODUCTION IN PART OR AS A WHOLE WITHOUT THE WRITTEN PERMISSION OF UNI-GRIP, INC. IS PROHIBITED.
DOCUMENT CONTROL NUMBER
UG-1-EN-001-FR-(103018)

UNLESS OTHERWISE SPECIFIED:
DIMENSIONS ARE IN INCHES
TOLERANCES PER ARPM CLASS 3
WEIGHT
0.150 LB/FT
ASTM D1056
2A3
ASTM D2000
N/A

TITLE:
SD-1205 T W/ 1" BULB
SIZE **A** DWG. NO. UG-1-GL-1000-FS-018 REV **B**