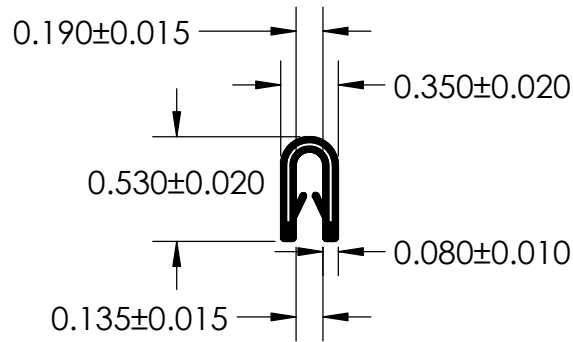
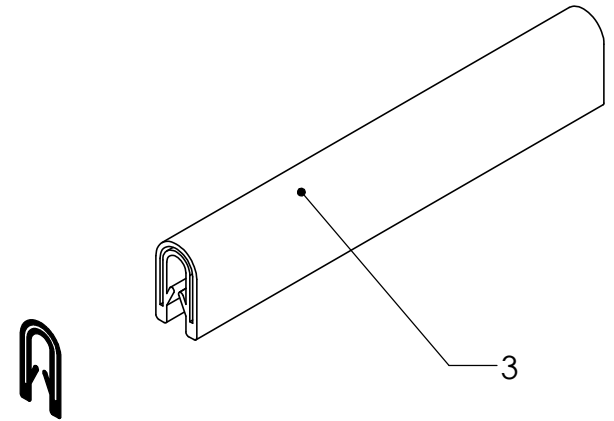


NOTES:

- 1) 80 DUROMETER BLACK PVC (DENSITY 1.370 G/CM<sup>3</sup>)
- 2) 1.000" STAMPED STEEL (0.046 LB/FT)
- 3) LEATHER GRAIN TEXTURE



**UNI-GRIP, INC.**

9823 STATE ROUTE 53 N  
UPPER SANDUSKY, OHIO 43351

PROPRIETARY AND CONFIDENTIAL:  THE INFORMATION CONTAINED IN THIS DRAWING IS THE SOLE PROPERTY OF UNI-GRIP, INC. ANY REPRODUCTION IN PART OR AS A WHOLE WITHOUT THE WRITTEN PERMISSION OF UNI-GRIP, INC. IS PROHIBITED.	UNLESS OTHERWISE SPECIFIED:  DIMENSIONS ARE IN INCHES TOLERANCES PER ARPM CLASS 3	TITLE:  SD-1185			
	WEIGHT 0.093 LB/FT  ASTM D1056 N/A	SIZE <b>A</b>	DWG. NO. UG-1-ET-1000-FS-006	REV <b>A</b>	
	DOCUMENT CONTROL NUMBER UG-1-EN-001-FR-(111416)	ASTM D2000 N/A			
P:\Engineering\Prints\Edge Trim\SD-1185 UG-1-ET-1000-FS-006		SCALE: 1:1	DR. BY L. CLARK	DATE 1/5/2017	SHEET 1 OF 1