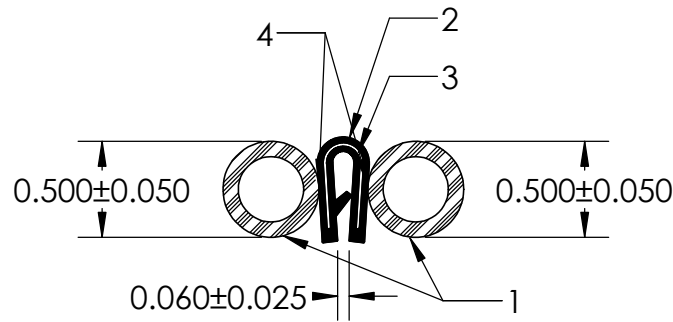
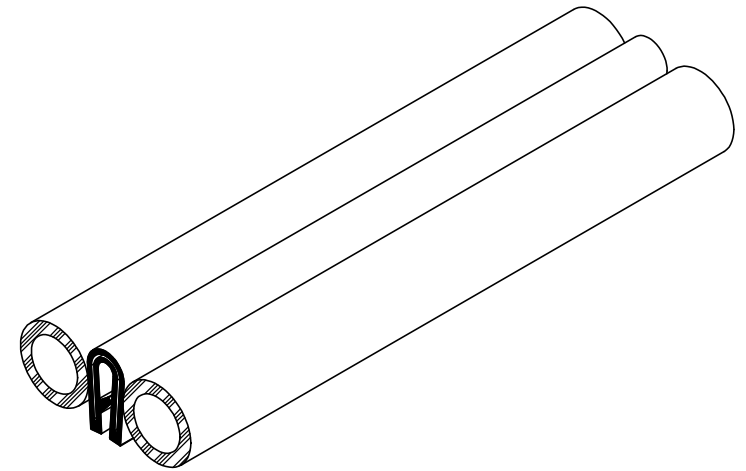


NOTES:

- 1) CLOSED CELL EPDM SPONGE RUBBER (0.380 G/CM³)
- 2) 80 DUROMETER BLACK PVC (1.370 G/CM³)
- 3) 1.000" STAMPED STEEL CARRIER (0.046 LB/FT)
- 4) CYANOACRYLATE ADHEISIVE



UNI-GRIP, INC.

9823 STATE ROUTE 53 N
UPPER SANDUSKY, OHIO 43351

REVISION BLOCK				PROPRIETARY AND CONFIDENTIAL:	UNLESS OTHERWISE SPECIFIED:	TITLE:				
REV.	DATE	REVIEWED BY	CHANGES MADE	THE INFORMATION CONTAINED IN THIS DRAWING IS THE SOLE PROPERTY OF UNI-GRIP, INC. ANY REPRODUCTION IN PART OR AS A WHOLE WITHOUT THE WRITTEN PERMISSION OF UNI-GRIP, INC. IS PROHIBITED.	DIMENSIONS ARE IN INCHES TOLERANCES PER ARPM CLASS 3	SD-111 W/ .060 OPENNIG				
A										
B					WEIGHT	0.132 LB/FT				
C					ASTM D1056	2A4				
D					DOCUMENT CONTROL NUMBER	ASTM D2000	N/A			
E				UG-1-EN-001-FR-(103018)						
P:\Engineering\Prints\Glue Line\SD-111 UG-1-GL-1000-FS-034				SCALE:	1:1	DR. BY	C. VENT	DATE	11/4/2019	SHEET 1 OF 1