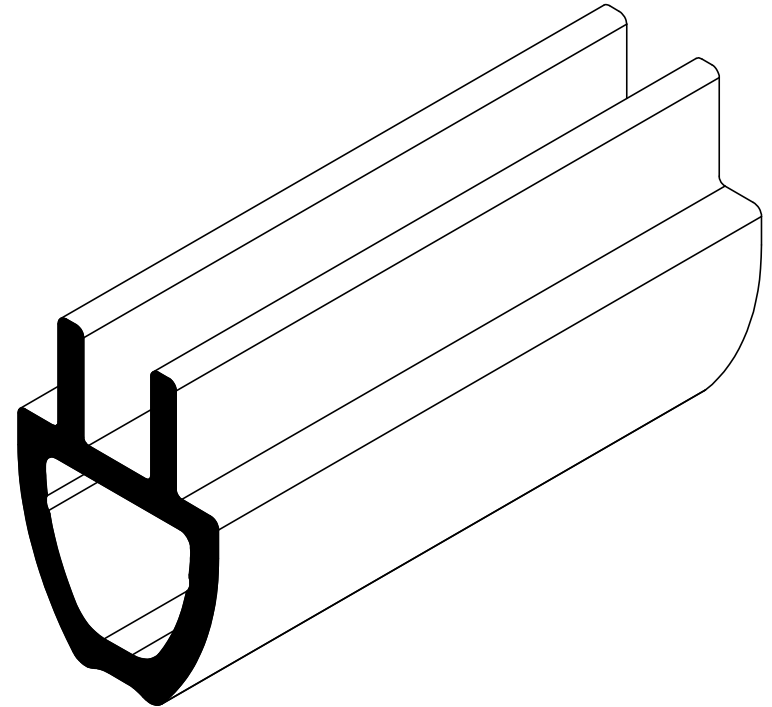
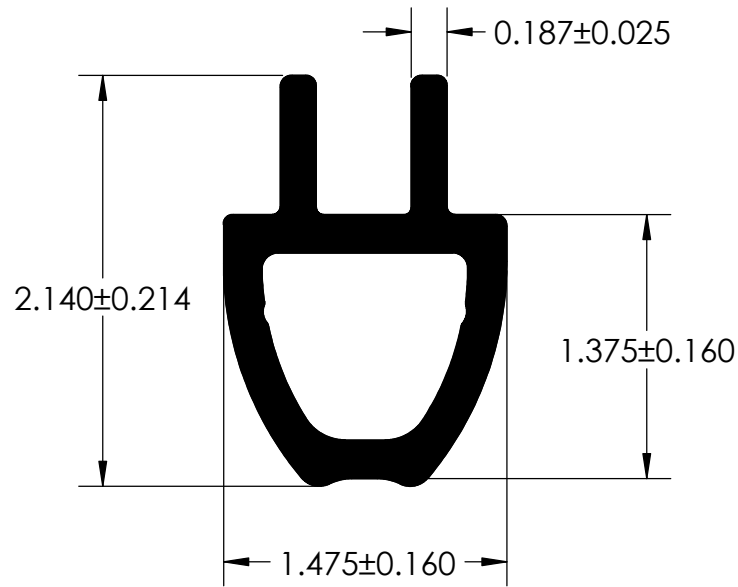


NOTES:

1) CLOSED CELL EPDM SPONGE RUBBER (0.450 G/CM³)



UNI-GRIP, INC.

9823 STATE ROUTE 53 N
UPPER SANDUSKY, OHIO 43351

REVISION BLOCK				PROPRIETARY AND CONFIDENTIAL:	UNLESS OTHERWISE SPECIFIED:	TITLE:				
REV.	DATE	R. By	CHANGES MADE	THE INFORMATION CONTAINED IN THIS DRAWING IS THE SOLE PROPERTY OF UNI-GRIP, INC. ANY REPRODUCTION IN PART OR AS A WHOLE WITHOUT THE WRITTEN PERMISSION OF UNI-GRIP, INC. IS PROHIBITED.	DIMENSIONS ARE IN INCHES TOLERANCES PER ARPM CLASS 3	RE-130				
A										
B					WEIGHT	DWG. NO.				
C					0.236 LB/FT					
D					ASTM D1056	2A4	UG-1-RE-130	REV		
E				ASTM D2000	N/A					
DOCUMENT CONTROL NUMBER UG-1-EN-001-FR-(080918)				SCALE:	1:1	DR. BY	C. VENT	DATE	7/27/2022	SHEET 1 OF 1