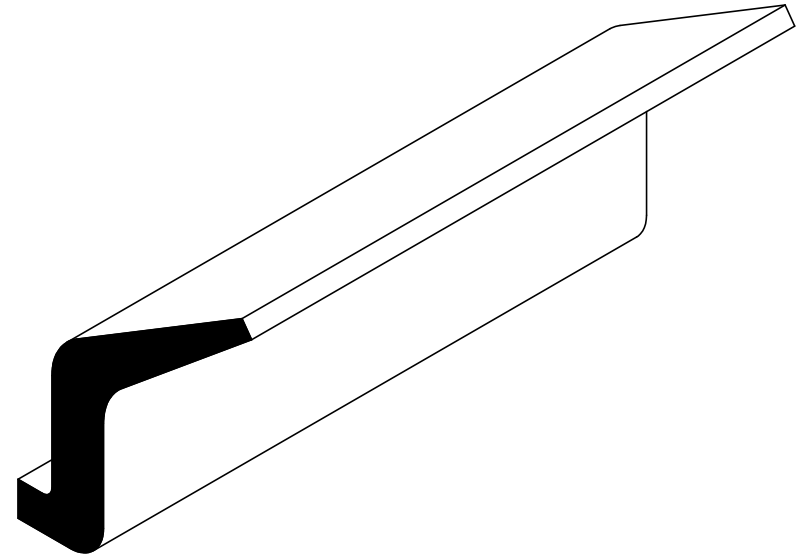
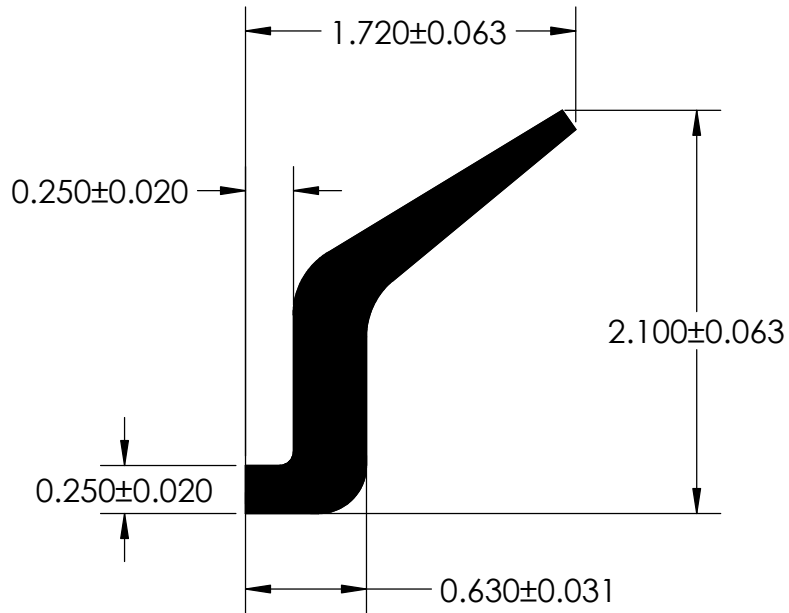


NOTES:

1) 75 DUROMETER MICRO DENSE RUBBER (0.865 G/CM³)



UNI-GRIP, INC.

9823 STATE ROUTE 53 N
UPPER SANDUSKY, OHIO 43351

REVISION BLOCK				PROPRIETARY AND CONFIDENTIAL:	UNLESS OTHERWISE SPECIFIED:	TITLE:					
REV.	DATE	R. By	CHANGES MADE	THE INFORMATION CONTAINED IN THIS DRAWING IS THE SOLE PROPERTY OF UNI-GRIP, INC. ANY REPRODUCTION IN PART OR AS A WHOLE WITHOUT THE WRITTEN PERMISSION OF UNI-GRIP, INC. IS PROHIBITED.	DIMENSIONS ARE IN INCHES TOLERANCES PER ARPM CLASS 3	RE-125					
A											
B					WEIGHT	UG-1-RE-125					
C					0.427 LB/FT						
D					ASTM D1056	N/A	SIZE	DWG. NO.	REV		
E				DOCUMENT CONTROL NUMBER	ASTM D2000	A	UG-1-RE-125				
P:\Engineering\Prints\Master Prints\Rubber Extrusion\RE-125 UG-1-RE-125				UG-1-EN-001-FR-(080918)	SCALE:	1:1	DR. BY	C. VENT	DATE	1/19/2022	SHEET 1 OF 1