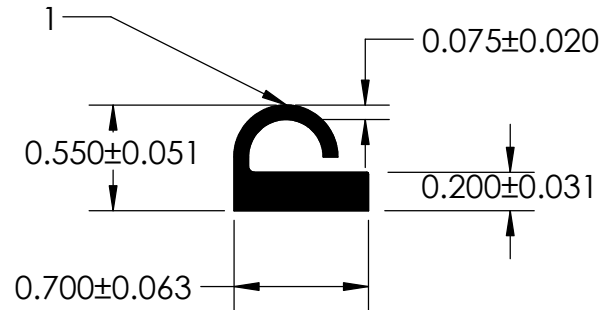
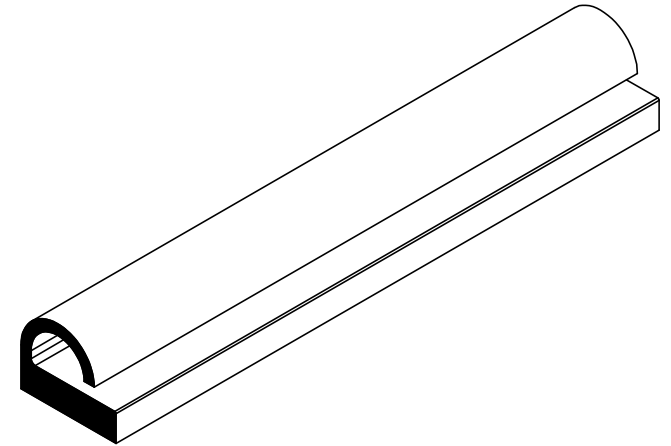


NOTES:

1) 60 DUROMETER LIGHT GREY SILICONE (1.370 G/CM³)



UNI-GRIP, INC.

9823 STATE ROUTE 53 N
UPPER SANDUSKY, OHIO 43351

PROPRIETARY AND CONFIDENTIAL: THE INFORMATION CONTAINED IN THIS DRAWING IS THE SOLE PROPERTY OF UNI-GRIP, INC. ANY REPRODUCTION IN PART OR AS A WHOLE WITHOUT THE WRITTEN PERMISSION OF UNI-GRIP, INC. IS PROHIBITED.	UNLESS OTHERWISE SPECIFIED: DIMENSIONS ARE IN INCHES TOLERANCES PER ARPM CLASS 3	TITLE:			
	WEIGHT 0.125 LB/FT	RE-027			
	ASTM D1056 N/A				
DOCUMENT CONTROL NUMBER UG-1-EN-001-FR-(111416)	ASTM D2000 3BA711 A14 B13 C12 F17	SIZE A	DWG. NO. UG-1-RE-027	REV A	
P:\Engineering\Prints\Rubber Extrusions\RE-027 UG-1-RE-027		SCALE: 1:1	DR. BY C. VENT	DATE 6/28/2018	SHEET 1 OF 1