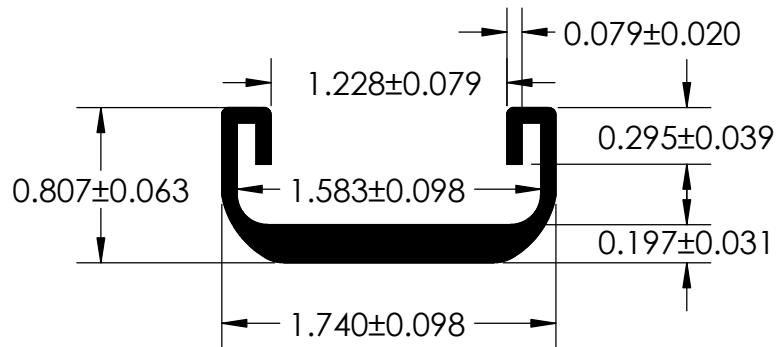
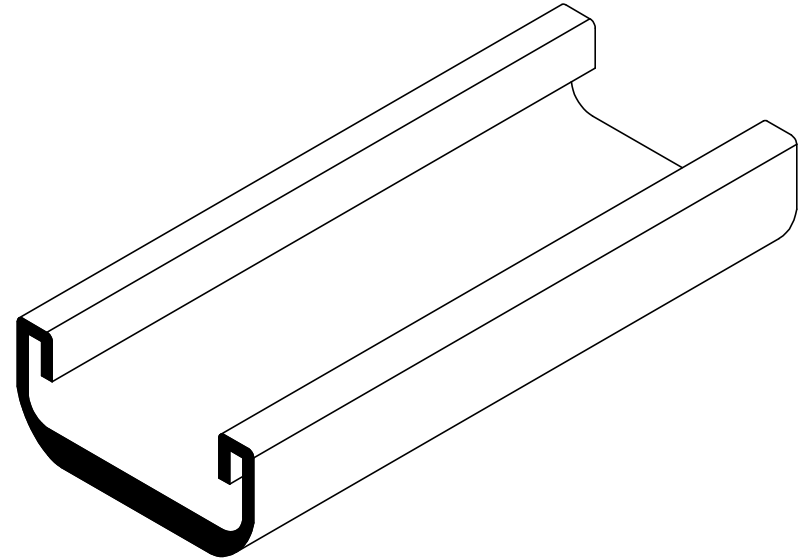


NOTES:

- 1) MATERIAL: 70 DUROMETER BLACK EPDM DENSE RUBBER (1.250 G/CM³)
- 2) MATERIAL MEETS HINO HTSM1500 H14H



UNI-GRIP, INC.

9823 STATE ROUTE 53 N
UPPER SANDUSKY, OHIO 43351

PROPRIETARY AND CONFIDENTIAL: THE INFORMATION CONTAINED IN THIS DRAWING IS THE SOLE PROPERTY OF UNI-GRIP, INC. ANY REPRODUCTION IN PART OR AS A WHOLE WITHOUT THE WRITTEN PERMISSION OF UNI-GRIP, INC. IS PROHIBITED.	UNLESS OTHERWISE SPECIFIED:	TITLE:		
	DIMENSIONS ARE IN INCHES TOLERANCES PER ARPM CLASS 3	RE-008		
	WEIGHT 0.299 LB/FT			
DOCUMENT CONTROL NUMBER UG-1-EN-001-FR-(111416)	ASTM D1056 N/A	SIZE A	DWG. NO. UG-1-RE-008	REV A
ASTM D2000 M3 BA 710 A14 B13 C12 F17 Z1 Z2 Z3 Z4 Z5		DR. BY C. VENT	DATE 3/16/18	SHEET 1 OF 1