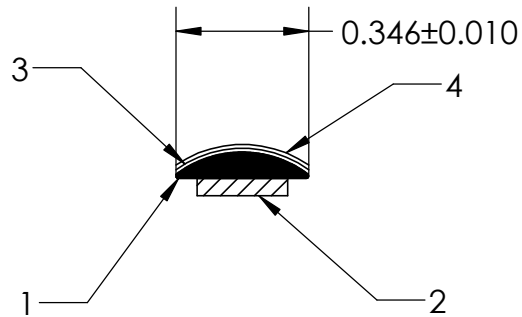
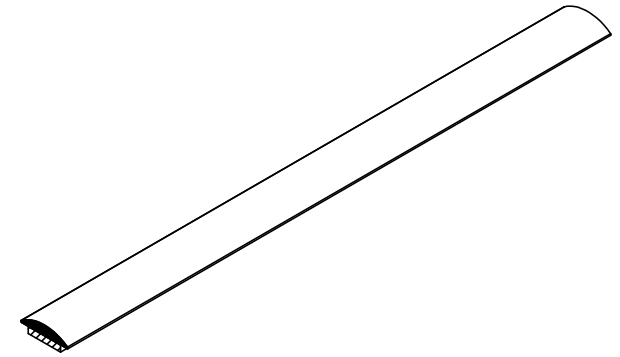


NOTES:

- 1) 85 DUROMETER BLACK PVC (1.370 G/CM<sup>3</sup>)
- 2) 6mm 3M 4229 TAPE (0.000 LB/FT)
- 3) .325 MYLAR (0.000 LB/FT)
- 4) TOP COAT



**UNI-GRIP, INC.**

9823 STATE ROUTE 53 N  
UPPER SANDUSKY, OHIO 43351

REVISION BLOCK				PROPRIETARY AND CONFIDENTIAL:	UNLESS OTHERWISE SPECIFIED:	TITLE:				
REV.	DATE	By	CHANGES MADE	THE INFORMATION CONTAINED IN THIS DRAWING IS THE SOLE PROPERTY OF UNI-GRIP, INC. ANY REPRODUCTION IN PART OR AS A WHOLE WITHOUT THE WRITTEN PERMISSION OF UNI-GRIP, INC. IS PROHIBITED.	DIMENSIONS ARE IN INCHES	PE-010				
A					WEIGHT				0.015 LB/FT	
B					ASTM D1056	N/A	SIZE	DWG. NO.	REV	
C					DOCUMENT CONTROL NUMBER	ASTM D2000	<b>A</b>	UG-1-PE-6mm-TP-010		
D					UG-1-EN-001-FR-(030123)	N/A				
E						DR. BY	C. VENT	DATE	4/30/2024	SHEET 1 OF 1
P:\Engineering\Prints\Master Prints\Plastic Extrusion\PE-010 UG-1-PE-6mm-TP-010					SCALE:	1:1				