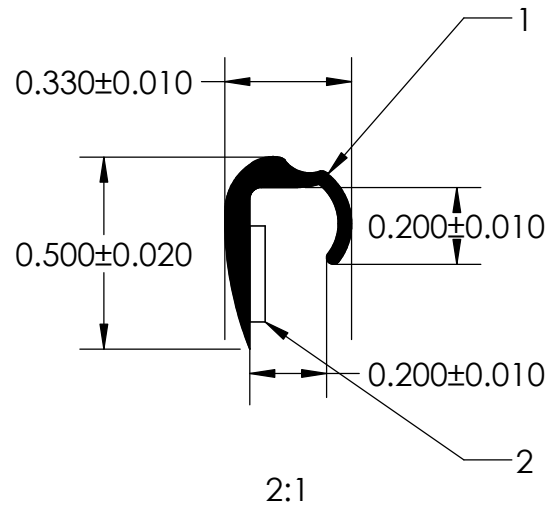
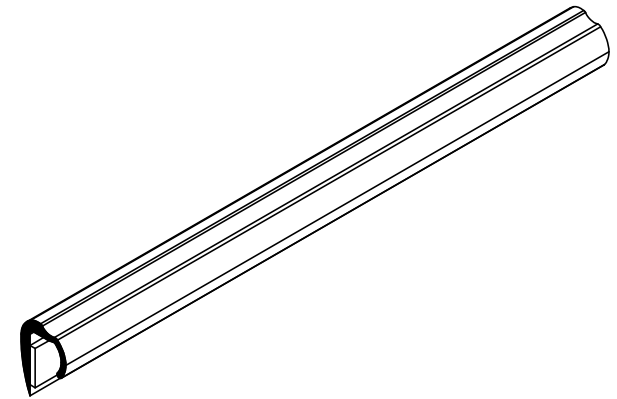


NOTES:

- 1) 80 DUROMETER BLACK PVC (1.370 G/CM<sup>3</sup>)
- 2) 90 DUROMETER BLACK PVC (1.370 G/CM<sup>3</sup>)
- 3) 1/4" PRESSURE SENSITIVE TAPE (0.006 LB/FT)



**UNI-GRIP, INC.**

9823 STATE ROUTE 53 N  
UPPER SANDUSKY, OHIO 43351

REVISION BLOCK				PROPRIETARY AND CONFIDENTIAL:	UNLESS OTHERWISE SPECIFIED:	TITLE:		
REV.	DATE	REVIEWED BY	CHANGES MADE	THE INFORMATION CONTAINED IN THIS DRAWING IS THE SOLE PROPERTY OF UNI-GRIP, INC. ANY REPRODUCTION IN PART OR AS A WHOLE WITHOUT THE WRITTEN PERMISSION OF UNI-GRIP, INC. IS PROHIBITED.	DIMENSIONS ARE IN INCHES TOLERANCES PER ARPM CLASS 3	PC-130		
A								
B					WEIGHT	0.042 LB/FT		
C					ASTM D1056	N/A		
D					DOCUMENT CONTROL NUMBER	ASTM D2000	N/A	
E				UG-1-EN-001-FR-(103018)		SIZE	DWG. NO.	REV
P:\Engineering\Prints\Tape Seals\PC-130 UG-1-TS-250-TP-129				SCALE:	1:1	<b>A</b>	UG-1-TS-250-TP-129	<b>A</b>
				DR. BY	C. VENT	DATE	12/16/2019	SHEET 1 OF 1