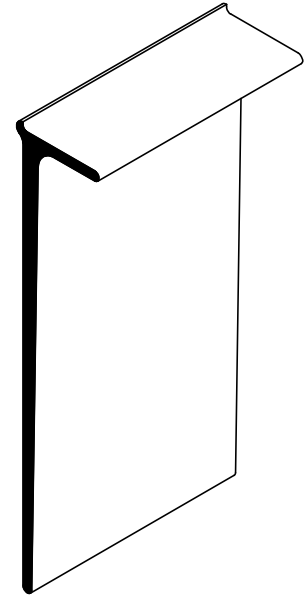
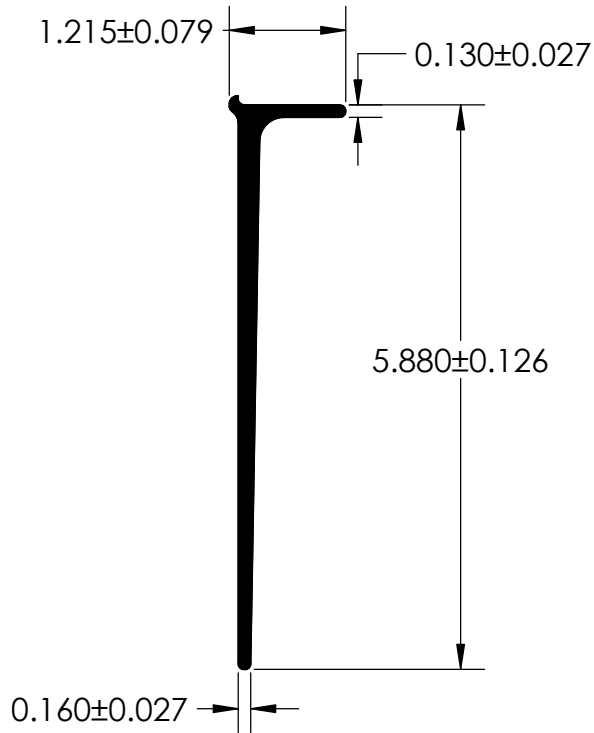


NOTES:

1) 70 DUROMETER EPDM DENSE RUBBER (1.200 G/CM³)



UNI-GRIP, INC.

9823 STATE ROUTE 53 N
UPPER SANDUSKY, OHIO 43351

PROPRIETARY AND CONFIDENTIAL: THE INFORMATION CONTAINED IN THIS DRAWING IS THE SOLE PROPERTY OF UNI-GRIP, INC. ANY REPRODUCTION IN PART OR AS A WHOLE WITHOUT THE WRITTEN PERMISSION OF UNI-GRIP, INC. IS PROHIBITED.	UNLESS OTHERWISE SPECIFIED: DIMENSIONS ARE IN INCHES TOLERANCES PER ARPM CLASS 3	TITLE:			
	WEIGHT 0.614 LB/FT	FL-034			
	ASTM D1056 N/A				
DOCUMENT CONTROL NUMBER UG-1-EN-001-FR-(111416)	ASTM D2000 3BA711 A14 B13 C12 F17	SIZE A	DWG. NO. UG-1-FL-034	REV A	
P:\Engineering\Prints\Flap Seals\FL-034 UG-1-FL-034		SCALE 1:2	DR. BY L. CLARK	DATE 11/2/2017	SHEET 1 OF 1