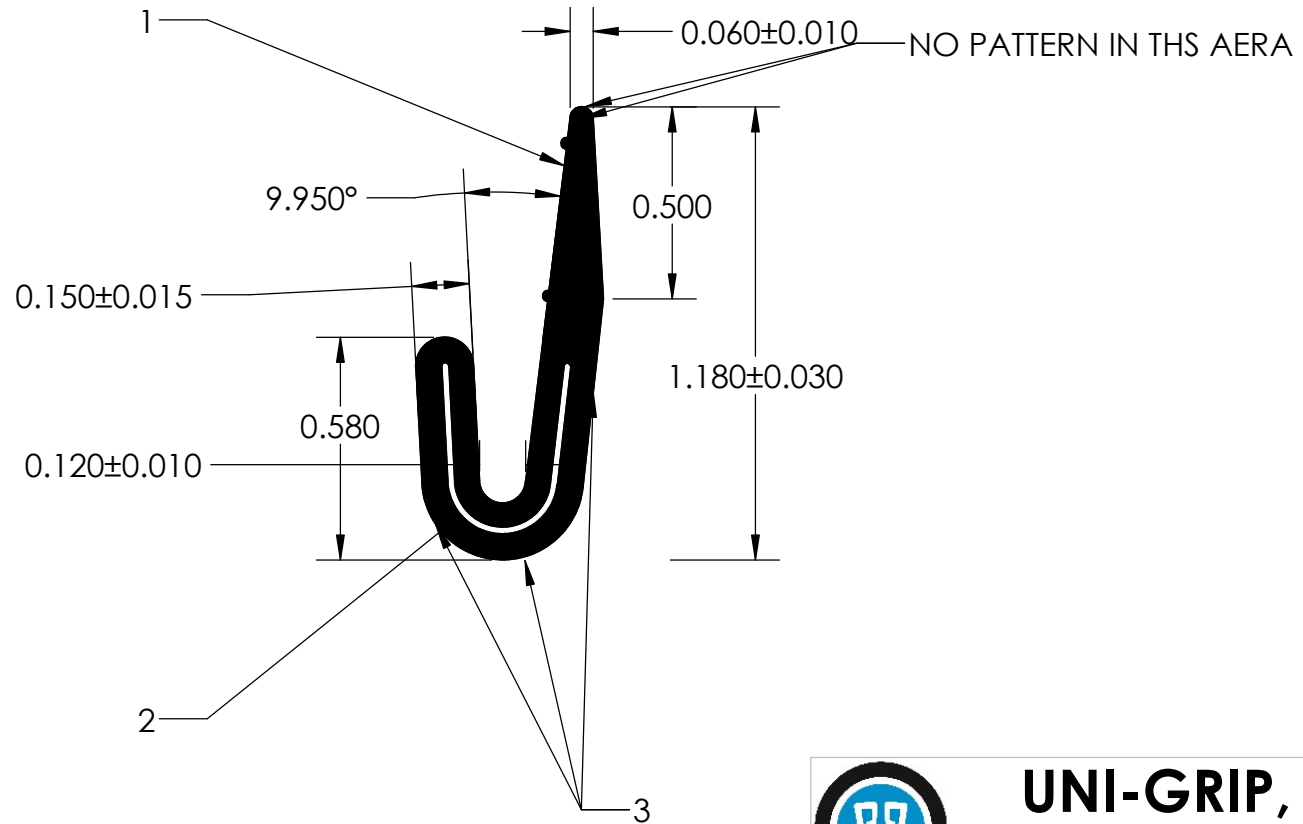


NOTES:

- 1) 63 DUROMETER BLACK PVC (1.370 G/CM³)
- 2) 1.000" STAMPED STEEL (0.046 LB/FT)
- 3) LEATHERGRAIN PATTERN



UNI-GRIP, INC.

9823 STATE ROUTE 53 N
UPPER SANDUSKY, OHIO 43351

REVISION BLOCK				PROPRIETARY AND CONFIDENTIAL:	UNLESS OTHERWISE SPECIFIED:	TITLE:					
REV.	DATE	REVIEWED BY	CHANGES MADE	THE INFORMATION CONTAINED IN THIS DRAWING IS THE SOLE PROPERTY OF UNI-GRIP, INC. ANY REPRODUCTION IN PART OR AS A WHOLE WITHOUT THE WRITTEN PERMISSION OF UNI-GRIP, INC. IS PROHIBITED.	DIMENSIONS ARE IN INCHES TOLERANCES PER ARPM CLASS 3	ET-053					
A					WEIGHT 0.149 LB/FT						
B					ASTM D1056 N/A	SIZE A	DWG. NO. UG-1-ET-1000-FS-053	REV A			
C					DOCUMENT CONTROL NUMBER UG-1-EN-001-FR-(103018)	ASTM D2000 N/A					
D											
E											
P:\Engineering\Prints\Edge Trim\ET-053 UG-1-ET-1000-FS-053				SCALE:	1:1	DR. BY	C. VENT	DATE	1/2/2020	SHEET	1 OF 1