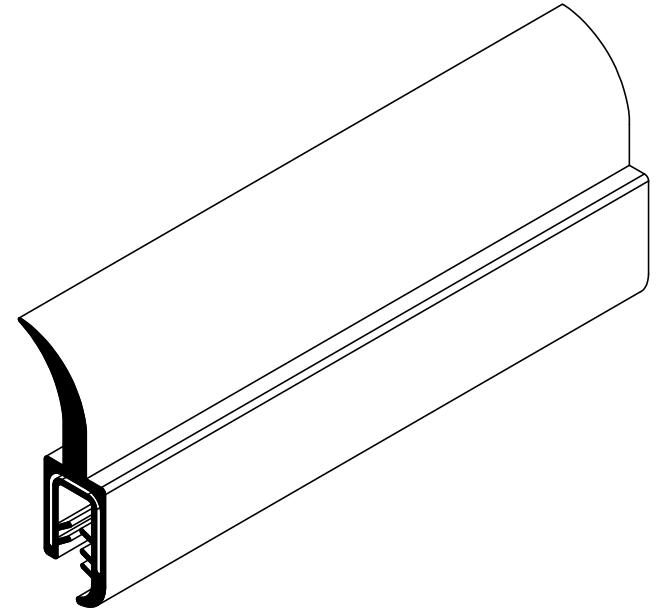
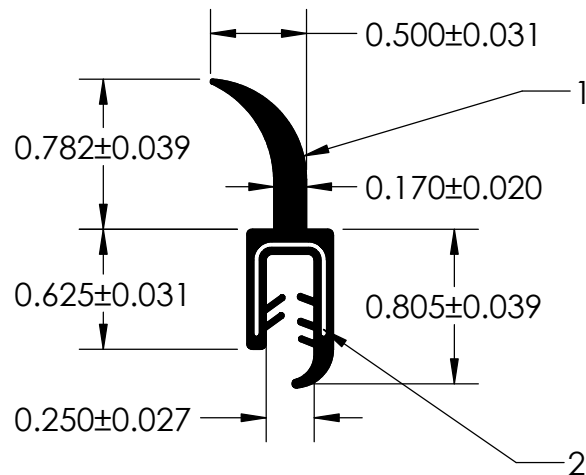


NOTES:

1) 70 DUROMETER EPDM DENSE RUBBER (1.200 G/CM³)

2) 1.315 WIRE CARRIER (0.028 LB/FT)



UNI-GRIP, INC.

9823 STATE ROUTE 53 N
UPPER SANDUSKY, OHIO 43351

REVISION BLOCK			
REV.	DATE	REVIEWED BY	CHANGES MADE
A			
B			
C			
D			
E			

PROPRIETARY AND CONFIDENTIAL:

THE INFORMATION CONTAINED IN THIS DRAWING IS THE SOLE PROPERTY OF UNI-GRIP, INC. ANY REPRODUCTION IN PART OR AS A WHOLE WITHOUT THE WRITTEN PERMISSION OF UNI-GRIP, INC. IS PROHIBITED.

DOCUMENT CONTROL NUMBER
UG-1-EN-001-FR-(103018)

UNLESS OTHERWISE SPECIFIED:

DIMENSIONS ARE IN INCHES
TOLERANCES PER ARPM CLASS 3

WEIGHT
0.194 LB/FT

ASTM D1056
N/A

ASTM D2000
3BA711 A14 B13 C12 F17

TITLE:

ED-5400

SIZE **A** DWG. NO. UG-1-DU-1315-WR-132 REV **A**