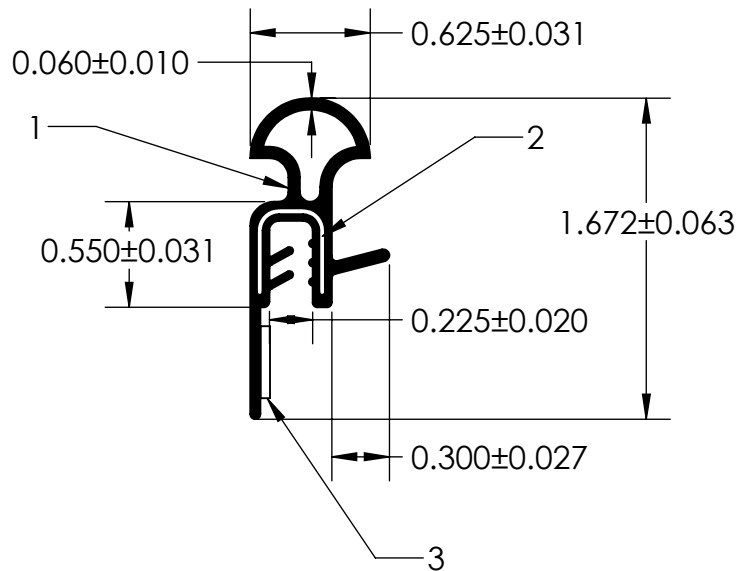
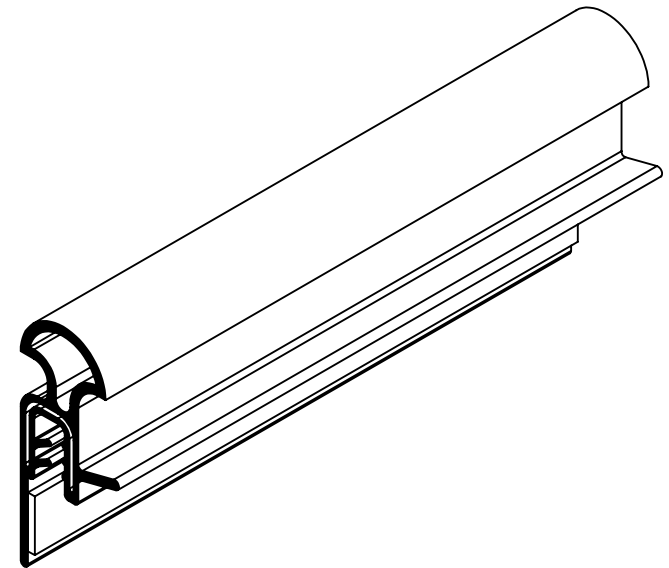


NOTES:

- 1) 70 DUROMETER EPDM DENSE RUBBER (1.370 G/CM³)
- 2) 1.120" WIRE CARRIER (0.024 LB/FT)
- 3) 3/8" ST-1200 3M HEAT ACTIVATED TAPE(0.006 LB/FT)



UNI-GRIP, INC.

9823 STATE ROUTE 53 N
UPPER SANDUSKY, OHIO 43351

REVISION BLOCK				PROPRIETARY AND CONFIDENTIAL:	UNLESS OTHERWISE SPECIFIED:	TITLE:				
REV.	DATE	R. By	CHANGES MADE	THE INFORMATION CONTAINED IN THIS DRAWING IS THE SOLE PROPERTY OF UNI-GRIP, INC. ANY REPRODUCTION IN PART OR AS A WHOLE WITHOUT THE WRITTEN PERMISSION OF UNI-GRIP, INC. IS PROHIBITED.	DIMENSIONS ARE IN INCHES TOLERANCES PER ARPM CLASS 2	ED-5374-T				
A										
B					WEIGHT	0.188 LB/FT				
C					ASTM D1056	N/A				
D					DOCUMENT CONTROL NUMBER	ASTM D2000	SIZE	DWG. NO.	REV	
E				UG-1-EN-001-FR-(080918)	3BA711 A14 B13 C12 F17	A	UG-1-TS-375-TP-165			
P:\Engineering\Prints\Master Prints\Tape Seals\ED-5374-T UG-1-TS-375-TP-165				SCALE:	1:1	DR. BY	C. VENT	DATE	9/14/2020	SHEET 1 OF 1