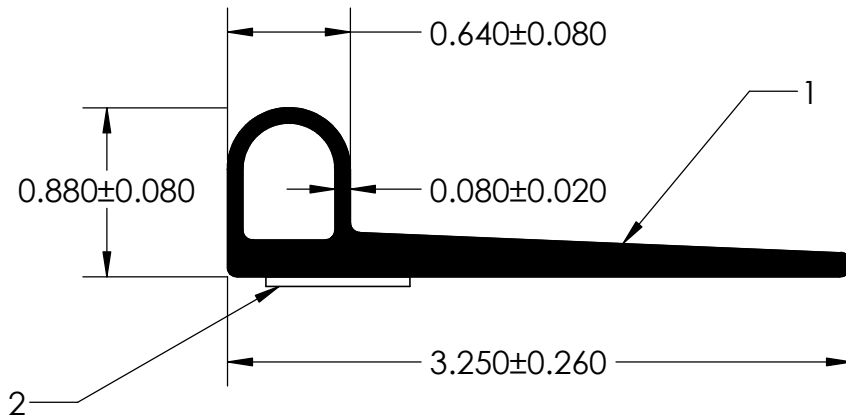
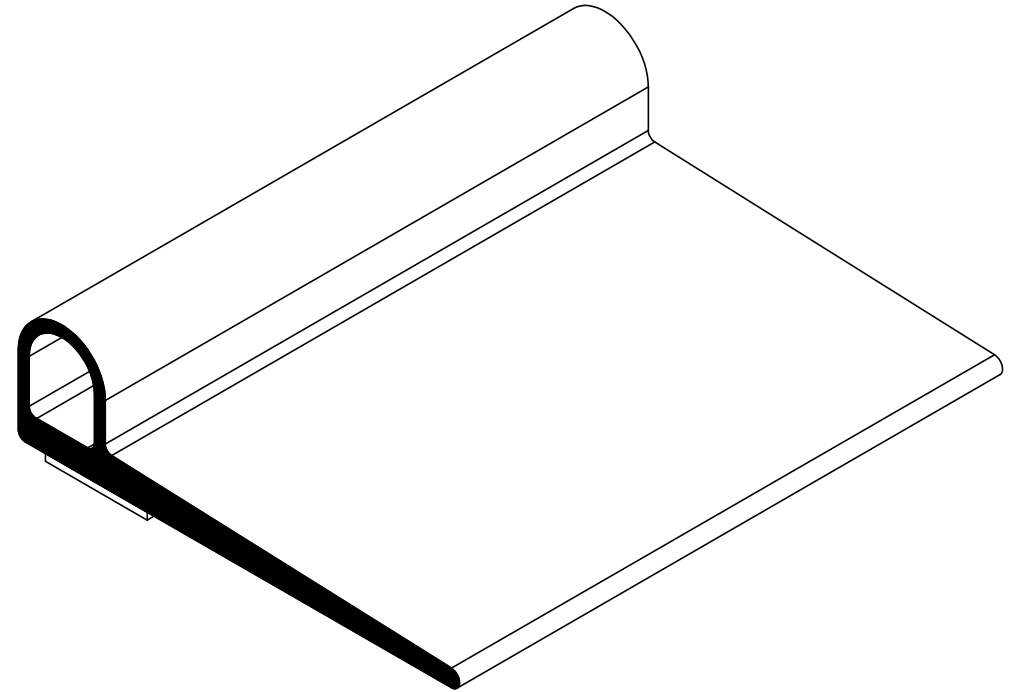


NOTES:

1) CLOSED CELL EPDM SPONGE RUBBER (0.750 G/CM³)

2) 3/4" ST-1200 3M HEAT ACTIVATED TAPE (0.013 LB/FT)



UNI-GRIP, INC.

9823 STATE ROUTE 53 N
UPPER SANDUSKY, OHIO 43351

REVISION BLOCK

REV.	DATE	REVIEWED BY	CHANGES MADE
A			
B			
C			
D			
E			

PROPRIETARY AND CONFIDENTIAL:

THE INFORMATION CONTAINED IN THIS DRAWING IS THE SOLE PROPERTY OF UNI-GRIP, INC. ANY REPRODUCTION IN PART OR AS A WHOLE WITHOUT THE WRITTEN PERMISSION OF UNI-GRIP, INC. IS PROHIBITED.

DOCUMENT CONTROL NUMBER
UG-1-EN-001-FR-(103018)

UNLESS OTHERWISE SPECIFIED:

DIMENSIONS ARE IN INCHES
TOLERANCES PER ARPM CLASS 3

WEIGHT
0.243 LB/FT

ASTM D1056
2A4

ASTM D2000
N/A

TITLE:

ED-5337-T

SIZE
A

DWG. NO.
UG-1-TS-750-TP-143

REV
A

P:\Engineering\Prints\Tape Seals\ED-5337-T UG-1-TS-750-TP-143

SCALE: 1:1

DR. BY C. VENT

DATE 3/26/2020

SHEET 1 OF 1