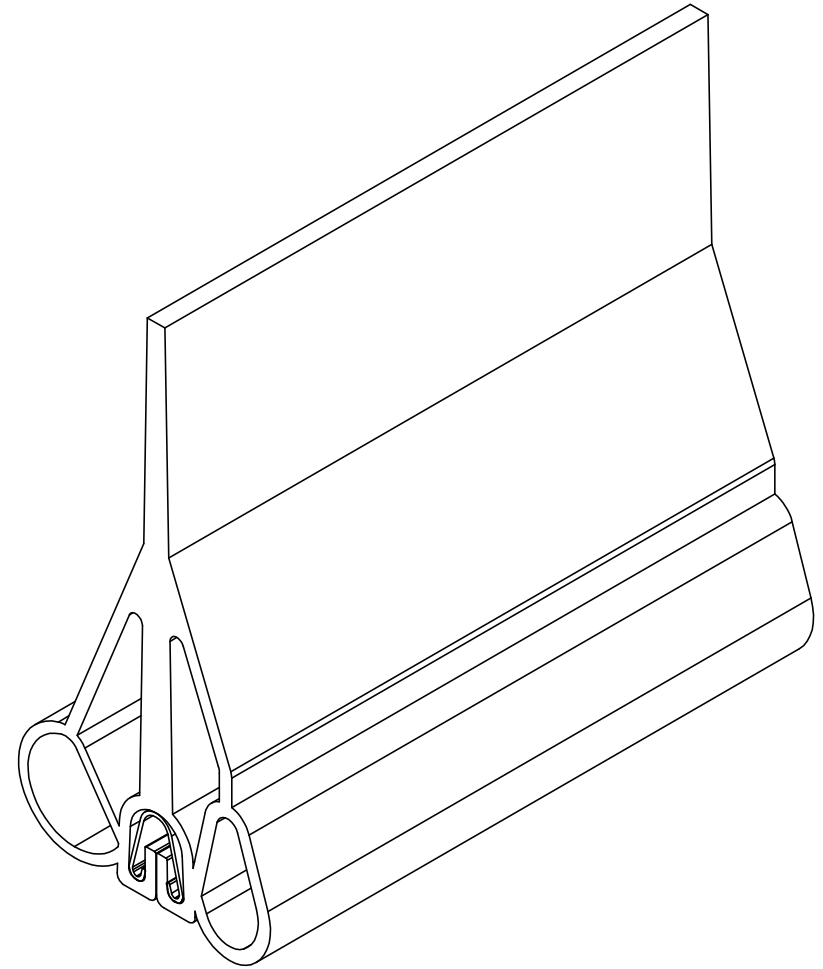
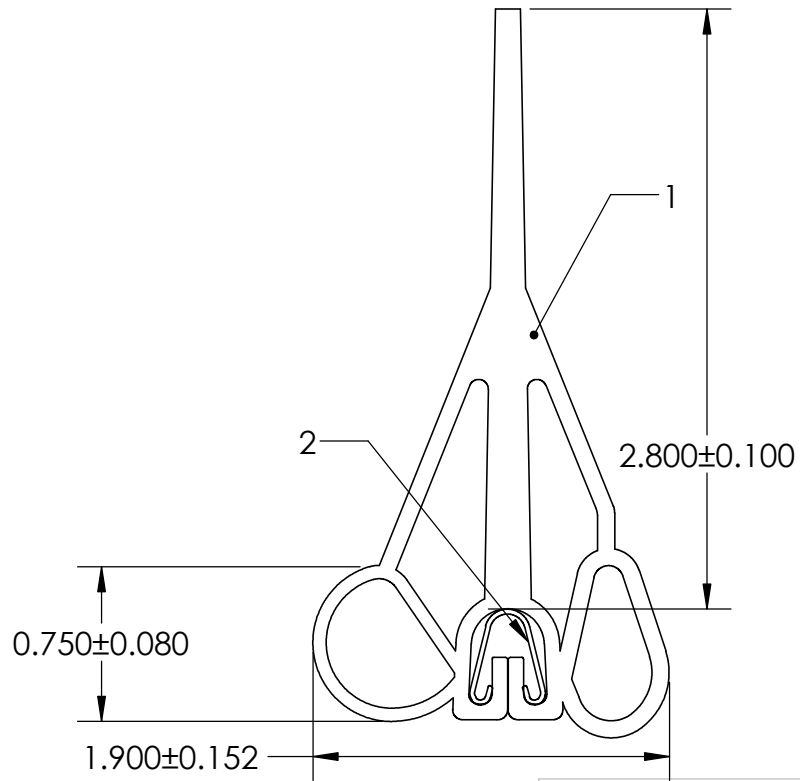


NOTES:

- 1) CLOSED CELL SPONGE RUBBER (0.638 G/CM<sup>3</sup>)
- 2) SD-487 SPRING STEEL CARRIER (0.030 LB/FT)



**UNI-GRIP, INC.**

9823 STATE ROUTE 53 N  
UPPER SANDUSKY, OHIO 43351

PROPRIETARY AND CONFIDENTIAL:

THE INFORMATION CONTAINED IN THIS DRAWING IS THE SOLE PROPERTY OF UNI-GRIP, INC. ANY REPRODUCTION IN PART OR AS A WHOLE WITHOUT THE WRITTEN PERMISSION OF UNI-GRIP, INC. IS PROHIBITED.

DOCUMENT CONTROL NUMBER  
UG-1-EN-001-FR-(111416)

UNLESS OTHERWISE SPECIFIED:

DIMENSIONS ARE IN INCHES  
TOLERANCES PER ARPM CLASS 3

WEIGHT  
0.433 LB/FT

ASTM D1056  
2A3

ASTM D2000  
N/A

TITLE:

ED-50480-W

SIZE  
**A**

DWG. NO.  
UG-1-BL-487-ST-044

REV  
**A**