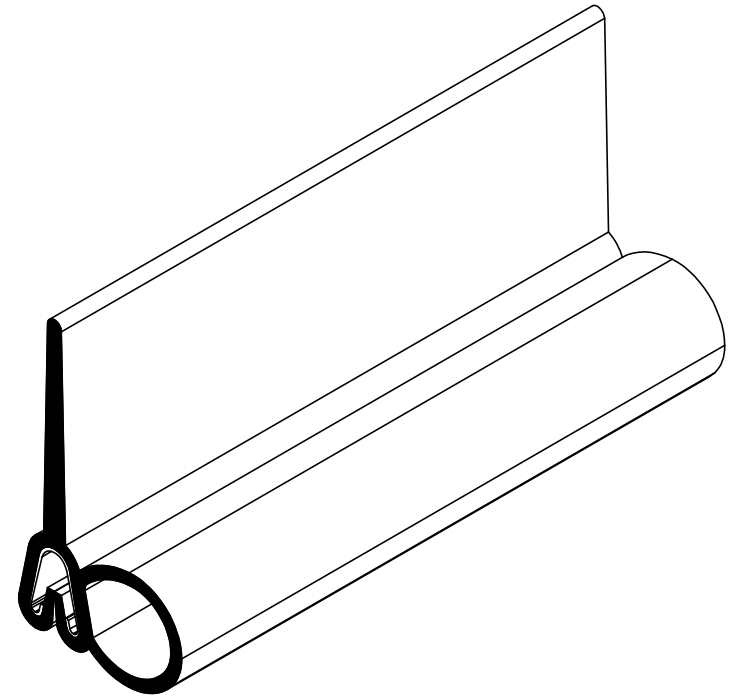
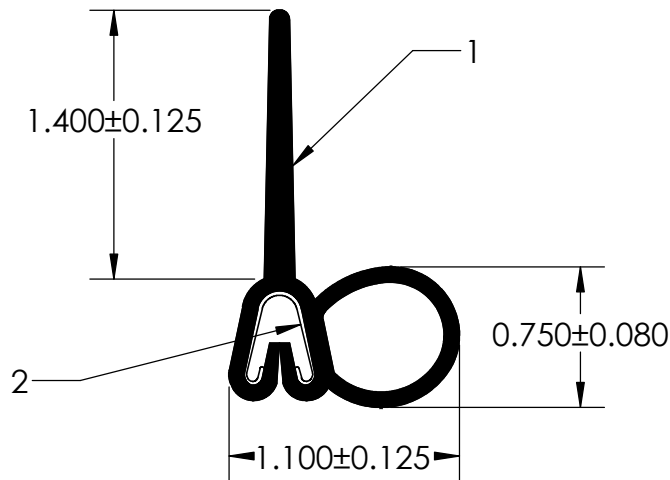


NOTES:

- 1) CLOSED CELL EPDM SPONGE RUBBER (0.700 G/CM³)
- 2) SD-487 SPRING STEEL CARRIER (0.030 LB/FT)



UNI-GRIP, INC.

9823 STATE ROUTE 53 N
UPPER SANDUSKY, OHIO 43351

REVISION BLOCK				PROPRIETARY AND CONFIDENTIAL:	UNLESS OTHERWISE SPECIFIED:	TITLE:				
REV.	DATE	REVIEWED BY	CHANGES MADE	THE INFORMATION CONTAINED IN THIS DRAWING IS THE SOLE PROPERTY OF UNI-GRIP, INC. ANY REPRODUCTION IN PART OR AS A WHOLE WITHOUT THE WRITTEN PERMISSION OF UNI-GRIP, INC. IS PROHIBITED.	DIMENSIONS ARE IN INCHES TOLERANCES PER ARPM CLASS 3	ED-50463				
A										
B					WEIGHT	0.180 LB/FT				
C					ASTM D1056	2A4	SIZE	DWG. NO.	REV	
D					DOCUMENT CONTROL NUMBER	ASTM D2000	A	UG-1-SO-487-ST-007		
E				UG-1-EN-001-FR-(103018)	N/A					
P:\Engineering\Prints\Slide Out Seals\ED-50463 UG-1-SO-487-ST-007				SCALE:	1:1	DR. BY	C. VENT	DATE	10/9/2019	SHEET 1 OF 1