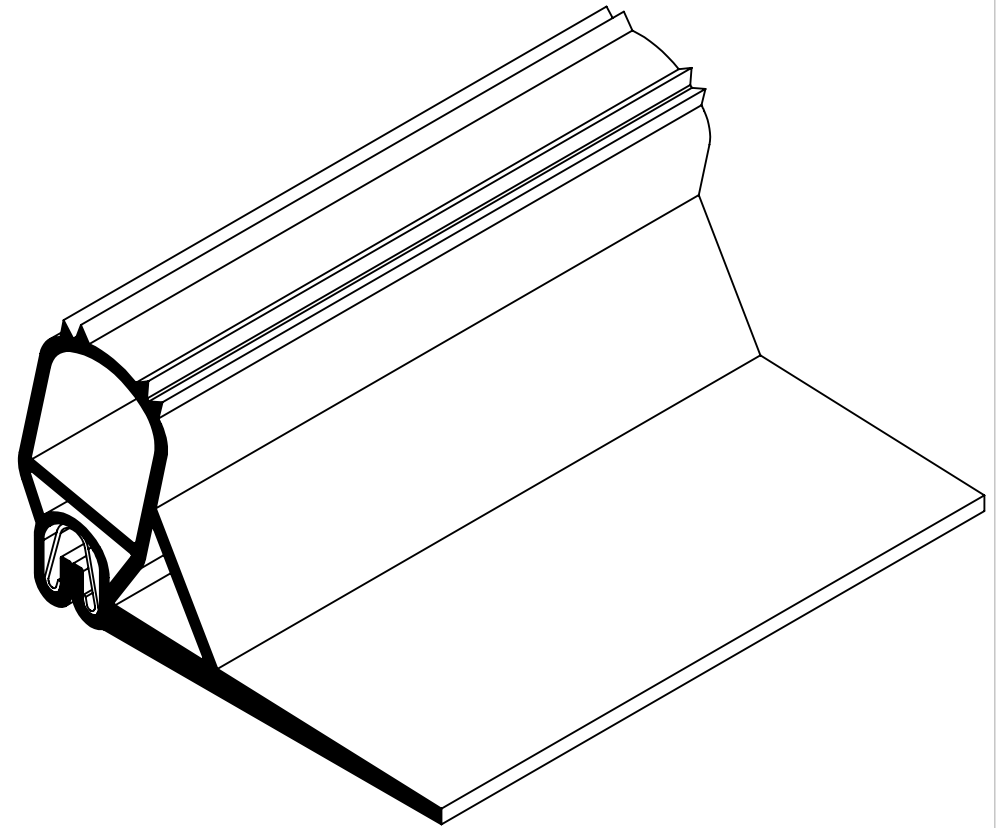
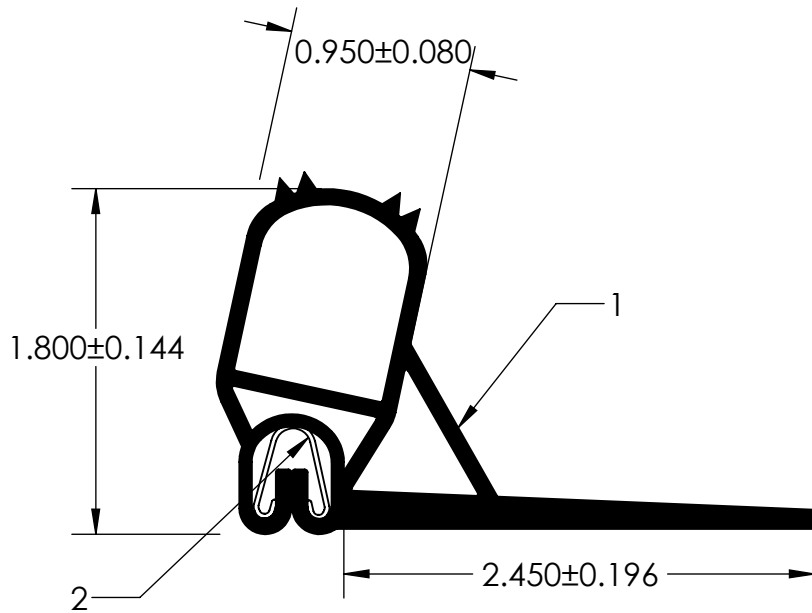


NOTES:

- 1) CLOSED CELL EPDM WHITE SPONGE RUBBER (0.750 G/CM³)
- 2) SD-487 SPRING STEEL CARRIER (0.030 LB/FT)



UNI-GRIP, INC.

9823 STATE ROUTE 53 N
UPPER SANDUSKY, OHIO 43351

REVISION BLOCK				PROPRIETARY AND CONFIDENTIAL:	UNLESS OTHERWISE SPECIFIED:	TITLE:				
REV.	DATE	R. By	CHANGES MADE	THE INFORMATION CONTAINED IN THIS DRAWING IS THE SOLE PROPERTY OF UNI-GRIP, INC. ANY REPRODUCTION IN PART OR AS A WHOLE WITHOUT THE WRITTEN PERMISSION OF UNI-GRIP, INC. IS PROHIBITED.	DIMENSIONS ARE IN INCHES TOLERANCES PER ARPM CLASS 3	ED-17041 WHITE				
A										
B					WEIGHT	0.325 LB/FT				
C					ASTM D1056	2A5				
D					ASTM D2000	N/A				
E				DOCUMENT CONTROL NUMBER	UG-1-EN-001-FR-(080918)					
P:\Engineering\Prints\Master Prints\Bulb Seals\ED-17041 WHITE UG-1-BL-487-ST-098				SCALE:	1:1	DR. BY	C. VENT	DATE	2/4/2021	SHEET 1 OF 1