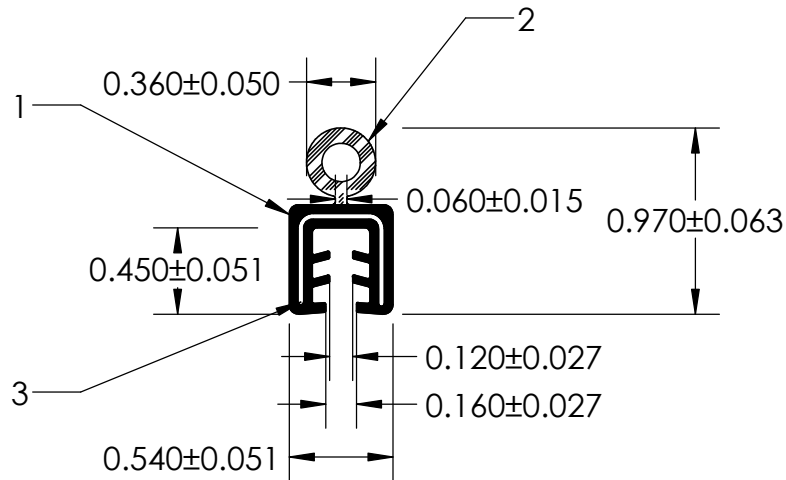
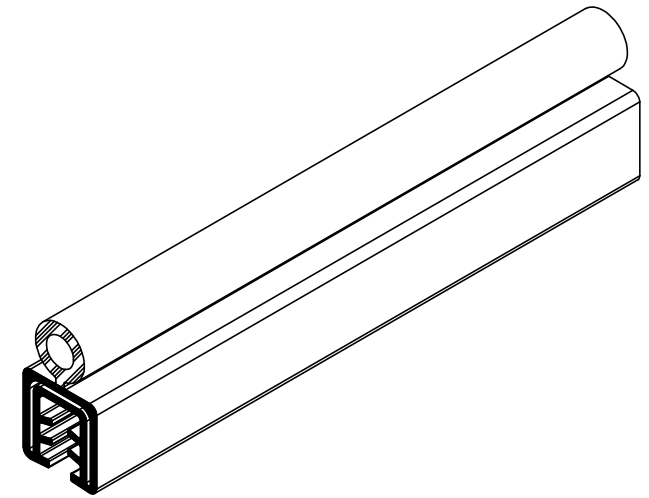


NOTES:

- 1) 60 DUROMETER EPDM DENSE RUBBER (1.165 G/CM<sup>3</sup>)
- 2) CLOSED CELL EPDM SPONGE RUBBER (0.700 G/CM<sup>3</sup>)
- 3) 1.315" WIRE CARRIER (0.028 LB/FT)



**UNI-GRIP, INC.**

9823 STATE ROUTE 53 N  
UPPER SANDUSKY, OHIO 43351

REVISION BLOCK				PROPRIETARY AND CONFIDENTIAL:	UNLESS OTHERWISE SPECIFIED:	TITLE:				
REV.	DATE	R. By	CHANGES MADE	THE INFORMATION CONTAINED IN THIS DRAWING IS THE SOLE PROPERTY OF UNI-GRIP, INC. ANY REPRODUCTION IN PART OR AS A WHOLE WITHOUT THE WRITTEN PERMISSION OF UNI-GRIP, INC. IS PROHIBITED.	DIMENSIONS ARE IN INCHES TOLERANCES PER ARPM CLASS 3	DU-182				
A										
B					WEIGHT	2A4				
C					0.153 LB/FT					
D					ASTM D1056	SIZE	DWG. NO.	REV		
E				DOCUMENT CONTROL NUMBER	ASTM D2000	A	UG-1-DU-1315-WR-182			
				UG-1-EN-001-FR-(080918)	3BA711 A14 B13 C12 F17	DR. BY	C. VENT	DATE	5/17/2022	SHEET 1 OF 1

P:\Engineering\Prints\Master Prints\Dual Durometer\DU-182 UG-1-DU-1315-WR-182

SCALE: 1:1

DR. BY C. VENT

DATE 5/17/2022

SHEET 1 OF 1