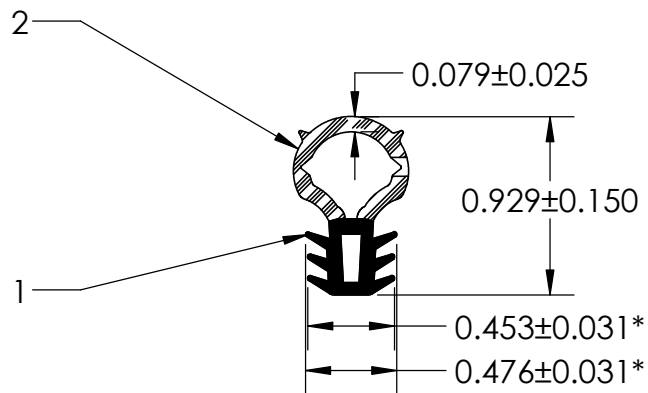
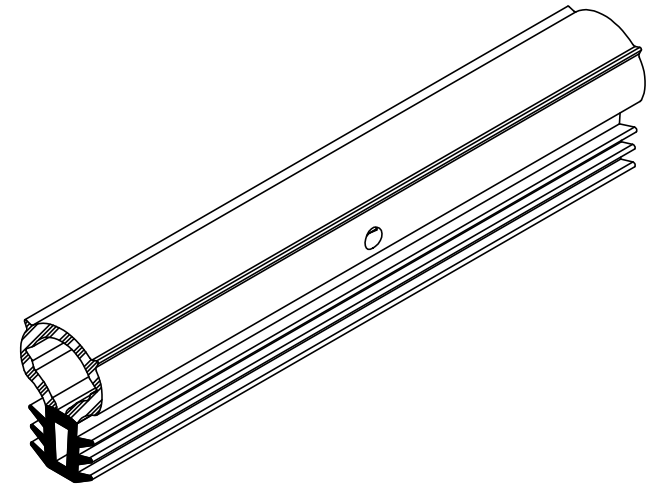


NOTES:

1) 70 DUROMETER EPDM DENSE RUBBER (1.200 G/CM<sup>3</sup>)

2) CLOSED CELL EPDM SPONGE RUBBER (0.700 G/CM<sup>3</sup>)

\* ) ARE CLASS 2 TOLERANCES



**UNI-GRIP, INC.**

9823 STATE ROUTE 53 N  
UPPER SANDUSKY, OHIO 43351

REVISION BLOCK

REV.	DATE	R. By	CHANGES MADE
A			
B			
C			
D			
E			

PROPRIETARY AND CONFIDENTIAL:

THE INFORMATION CONTAINED IN THIS DRAWING IS THE SOLE PROPERTY OF UNI-GRIP, INC. ANY REPRODUCTION IN PART OR AS A WHOLE WITHOUT THE WRITTEN PERMISSION OF UNI-GRIP, INC. IS PROHIBITED.

DOCUMENT CONTROL NUMBER  
UG-1-EN-001-FR-(080918)

UNLESS OTHERWISE SPECIFIED:

DIMENSIONS ARE IN INCHES  
TOLERANCES PER ARPM CLASS 3

WEIGHT  
0.093 LB/FT

ASTM D1056  
2A4

ASTM D2000  
3BA711 A14 B13 C12 F17

TITLE:

DU-179

SIZE  
**A**

DWG. NO.

UG-1-DU-179

REV

P:\Engineering\Prints\Master Prints\Dual Durometer\DU-179 UG-1-DU-179

SCALE: 1:1

DR. BY C. VENT

DATE 2/22/2022

SHEET 1 OF 1