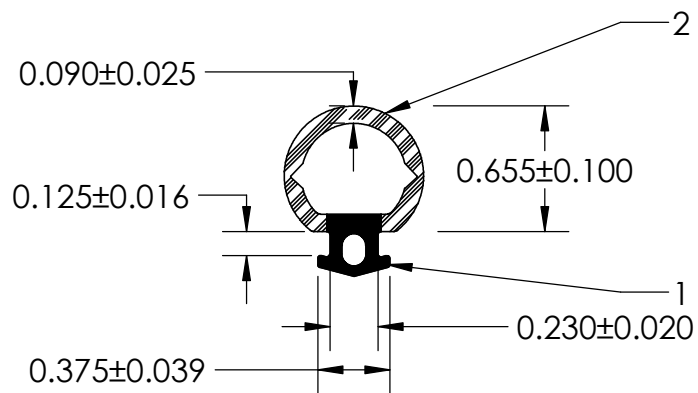
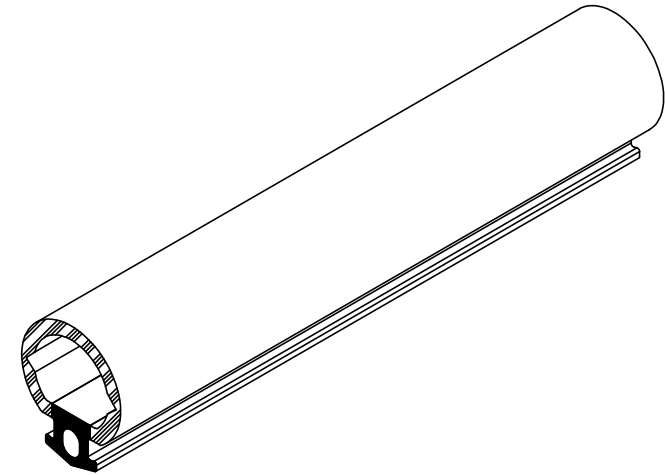


NOTES:

- 1) 70 DUROMETER EPDM DENSE RUBBER (1.200 G/CM³)
- 2) CLOSED CELL EPDM SPONGE RUBBER (0.700 G/CM³)



UNI-GRIP, INC.

9823 STATE ROUTE 53 N
UPPER SANDUSKY, OHIO 43351

REVISION BLOCK				PROPRIETARY AND CONFIDENTIAL:	UNLESS OTHERWISE SPECIFIED:	TITLE:		
REV.	DATE	R. By	CHANGES MADE	THE INFORMATION CONTAINED IN THIS DRAWING IS THE SOLE PROPERTY OF UNI-GRIP, INC. ANY REPRODUCTION IN PART OR AS A WHOLE WITHOUT THE WRITTEN PERMISSION OF UNI-GRIP, INC. IS PROHIBITED.	DIMENSIONS ARE IN INCHES TOLERANCES PER ARPM CLASS 3	DU-176		
A								
B					WEIGHT	SIZE DWG. NO. REV		
C					0.091 LB/FT			
D					ASTM D1056	2A4	A	UG-1-DU-176
E				ASTM D2000				
DOCUMENT CONTROL NUMBER				UG-1-EN-001-FR-(080918)	3BA711 A14 B13 C12 F17	DR. BY C. VENT DATE 12/2/2021 SHEET 1 OF 1		