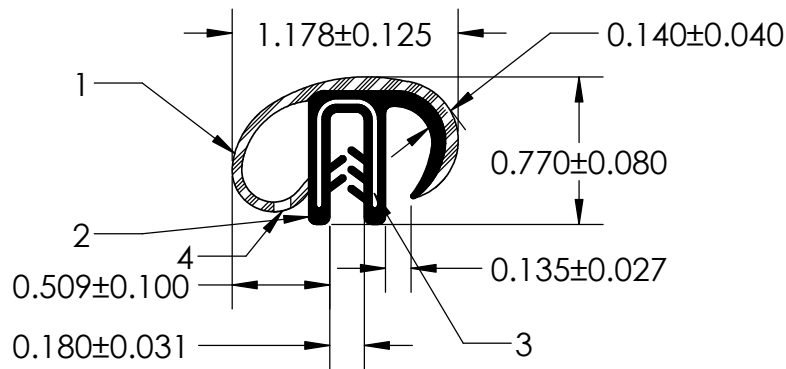
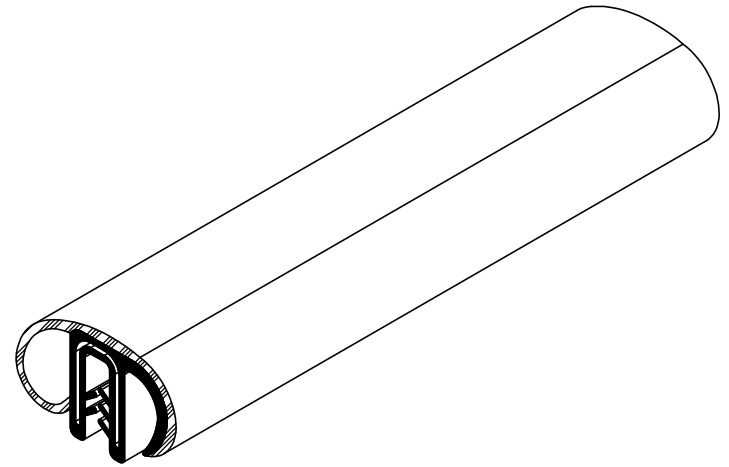


NOTES:

- 1) CLOSED CELL EPDM SPONGE RUBBER (0.700 G/CM<sup>3</sup>)
- 2) 70 DUROMETER EPDM DENSE RUBBER (1.200 G/CM<sup>3</sup>)
- 3) 1.315" WIRE CARRIER (0.024 LB/FT)
- 4) 0.125" VENT HOLE



**UNI-GRIP, INC.**

9823 STATE ROUTE 53 N  
UPPER SANDUSKY, OHIO 43351

REVISION BLOCK				PROPRIETARY AND CONFIDENTIAL:	UNLESS OTHERWISE SPECIFIED:	TITLE:				
REV.	DATE	REVIEWED BY	CHANGES MADE	THE INFORMATION CONTAINED IN THIS DRAWING IS THE SOLE PROPERTY OF UNI-GRIP, INC. ANY REPRODUCTION IN PART OR AS A WHOLE WITHOUT THE WRITTEN PERMISSION OF UNI-GRIP, INC. IS PROHIBITED.	DIMENSIONS ARE IN INCHES TOLERANCES PER ARPM CLASS 3	DU-135				
A										
B					WEIGHT	SIZE				
C					0.199 LB/FT					
D					ASTM D1056	DWG. NO.				
E				2A4						
DOCUMENT CONTROL NUMBER				ASTM D2000	A	UG-1-DU-1315-WR-135		REV		
UG-1-EN-001-FR-(103018)				3BA711 A14 B13 C12 F17						
P:\Engineering\Prints\Dual Durometer\DU-109 UG-1-DU-1315-WR-135				SCALE:	1:1	DR. BY	C. VENT	DATE	1/15/2020	SHEET 1 OF 1