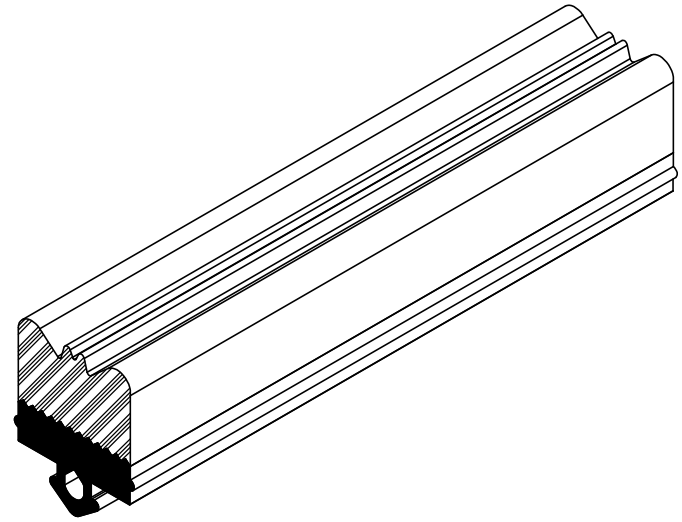
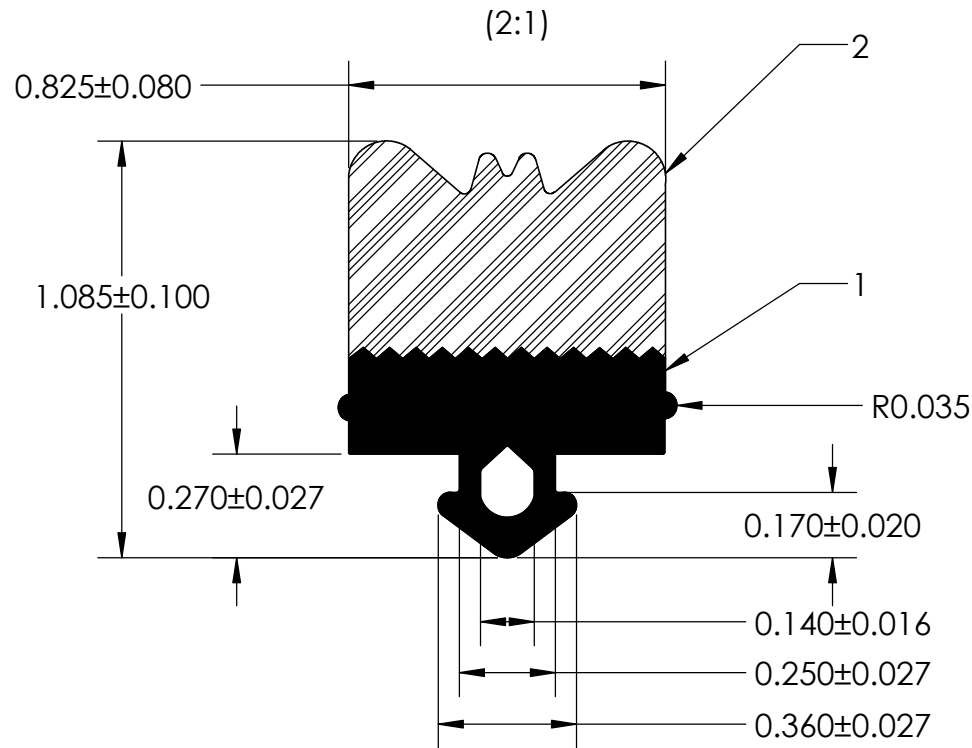


NOTES:

1) 70 DUROMETER EPDM DENSE RUBBER (1.200 G/CM³)

2) CLOSED CELL EPDM SPONGE RUBBER (0.700 G/CM³)



UNI-GRIP, INC.

9823 STATE ROUTE 53 N
UPPER SANDUSKY, OHIO 43351

REVISION BLOCK

REV.	DATE	REVIEWED BY	CHANGES MADE
A			
B			
C			
D			
E			

PROPRIETARY AND CONFIDENTIAL:

THE INFORMATION CONTAINED IN THIS DRAWING IS THE SOLE PROPERTY OF UNI-GRIP, INC. ANY REPRODUCTION IN PART OR AS A WHOLE WITHOUT THE WRITTEN PERMISSION OF UNI-GRIP, INC. IS PROHIBITED.

DOCUMENT CONTROL NUMBER
UG-1-EN-001-FR-(103018)

UNLESS OTHERWISE SPECIFIED:

DIMENSIONS ARE IN INCHES
TOLERANCES PER ARPM CLASS 3

WEIGHT
0.291 LB/FT

ASTM D1056
2A4

ASTM D2000
3BA711 A14 B13 C12 F17

TITLE:

DU-125

SIZE
A

DWG. NO.

UG-1-DU-125

REV

P:\Engineering\Prints\Dual Durometer\DU-125 UG-1-DU-125

SCALE: 1:1

DR. BY C. VENT

DATE 1/6/2020

SHEET 1 OF 1