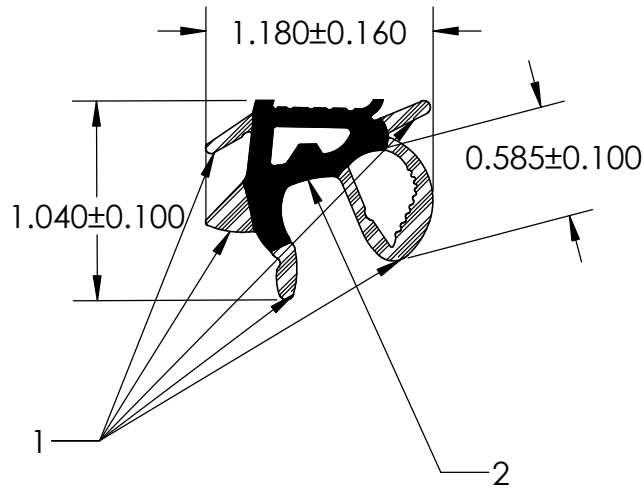
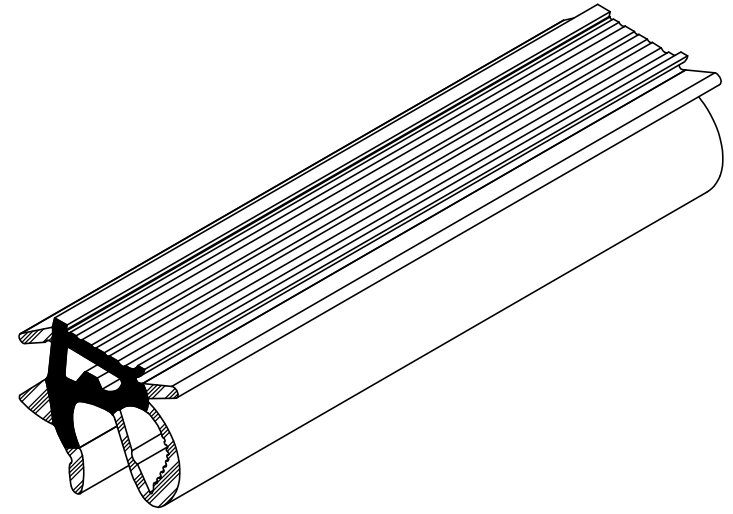


NOTERS:

- 1) CLOSED CELL EPDM SPONGE RUBBER (0.700 G/CM³)
- 2) 70 DUROMETER EPDM DENSE RUBBER (1.200 G/CM³)



UNI-GRIP, INC.

9823 STATE ROUTE 53 N
UPPER SANDUSKY, OHIO 43351

REVISION BLOCK				PROPRIETARY AND CONFIDENTIAL:	UNLESS OTHERWISE SPECIFIED:	TITLE:				
REV.	DATE	REVIEWED BY	CHANGES MADE	THE INFORMATION CONTAINED IN THIS DRAWING IS THE SOLE PROPERTY OF UNI-GRIP, INC. ANY REPRODUCTION IN PART OR AS A WHOLE WITHOUT THE WRITTEN PERMISSION OF UNI-GRIP, INC. IS PROHIBITED.	DIMENSIONS ARE IN INCHES TOLERANCES PER ARPM CLASS 3	DU-122				
A										
B					WEIGHT	2A4				
C					0.196 LB/FT					
D					ASTM D1056	SIZE	DWG. NO.	REV		
E				DOCUMENT CONTROL NUMBER	ASTM D2000	A	UG-1-DU-122	A		
P:\Engineering\Prints\Dual Durometer\DU-122 UG-1-DU-122				UG-1-EN-001-FR-(103018)	3BA711 A14 B13 C12 F17	SCALE:	1:1	DR. BY C. VENT	DATE 9/20/2019	SHEET 1 OF 1